



**WARNING:** Cancer and Reproductive Harm  
[www.P65Warnings.ca.gov](http://www.P65Warnings.ca.gov)

## Control panel



Pre-set position 1.



Pre-set position 2.



Move backwards.

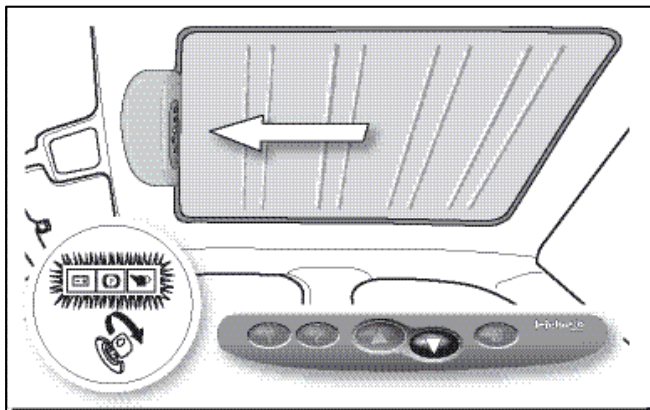


Move forwards.

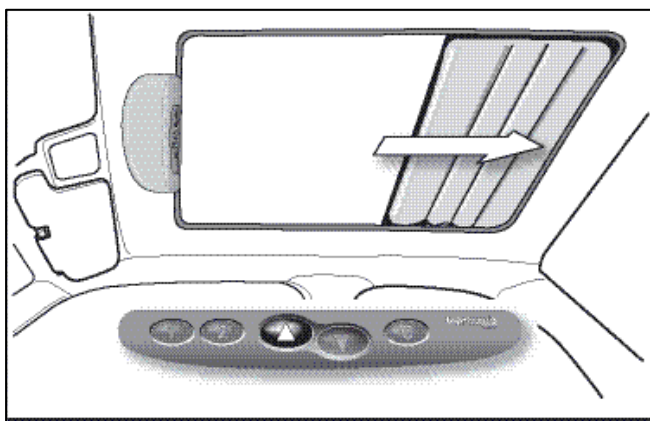


One touch close.

## Programming of the sunroof before using it the first time.



Close the sunroof completely, hold the button for at least 5 seconds.

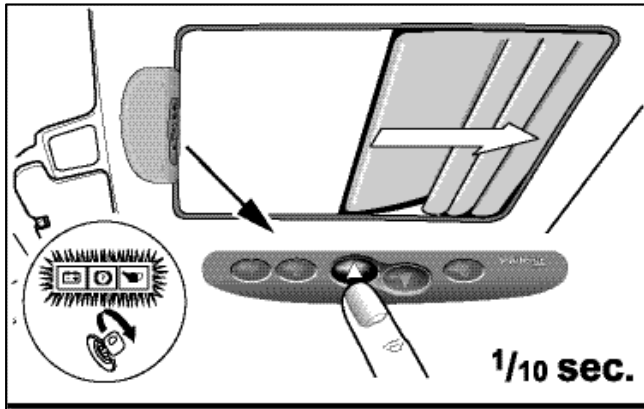


Open the canvas top completely by pressing the "open" button until a "click" is heard.

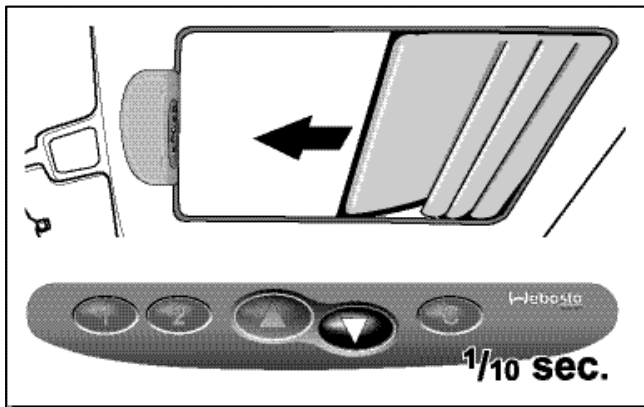
This moment the end stop- positions are calibrated

The roof can now be operated with "soft touch", i.e. opening and closing by pressing the operating buttons shortly.

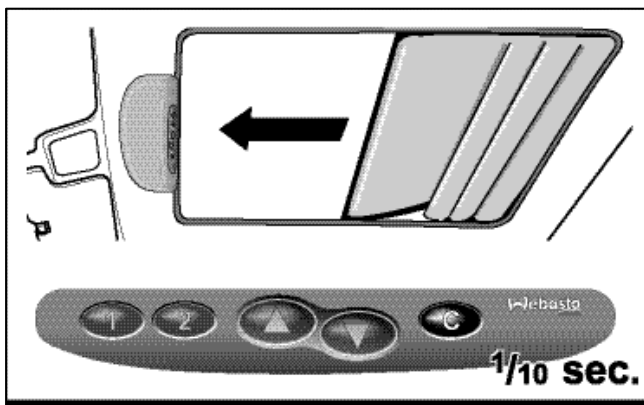
## Operating of the sunroof



Open the sunroof by pressing the button shortly.  
By shortly pressing the button again, the roof will stop in the position of that moment.

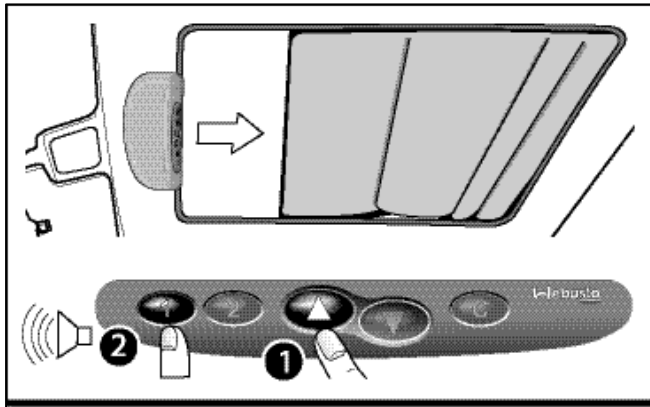


Close the Sunroof by pressing the button shortly.  
By shortly pressing the button again, the roof will stop at the position of that moment.



Pressing the "C" button, the sunroof will close totally.

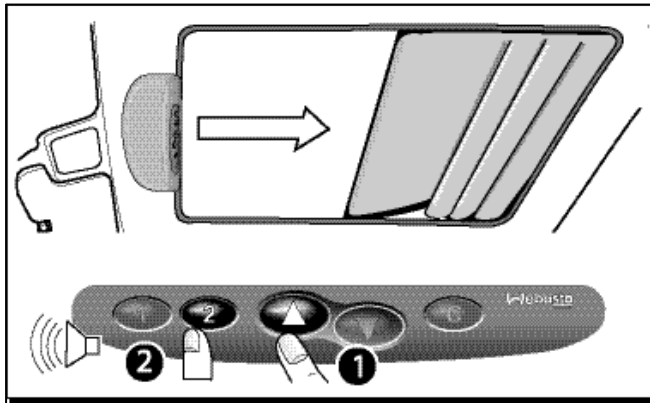
## Operating of the sunroof



Operate the opening button till the first required position is reached.

Press button "1" till a "beep" is heard.

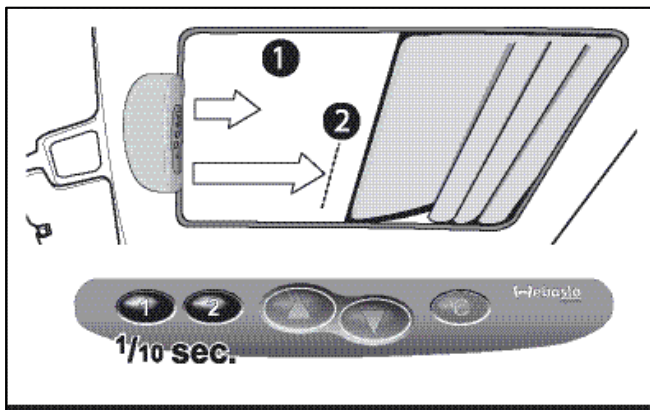
Preset position "1" is now programmed.



Operate the opening button till the second required position is reached.

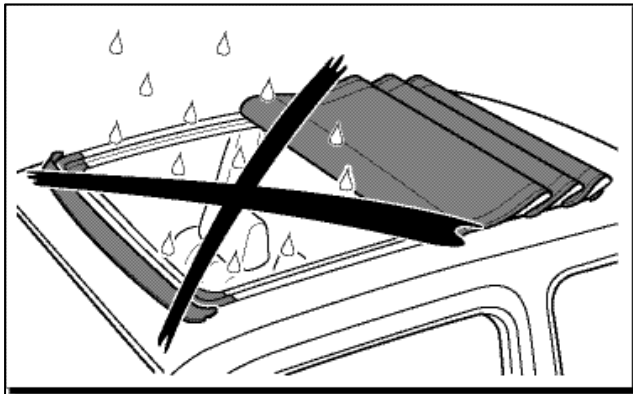
Press button "2" till a "beep" is heard.

Preset position "2" is now programmed.

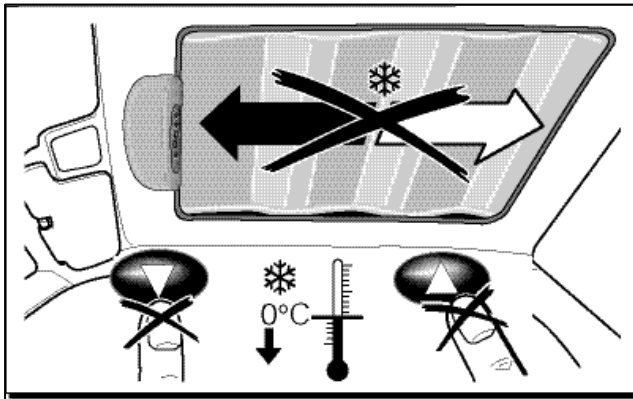


Operating respectively button "1" and "2", the sunroof will now open to the programmed positions.

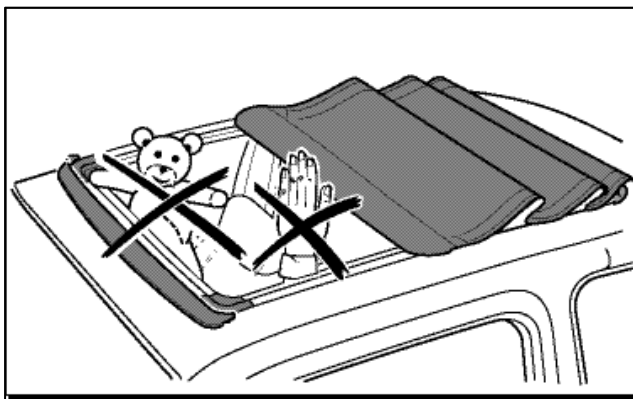
## Special notes



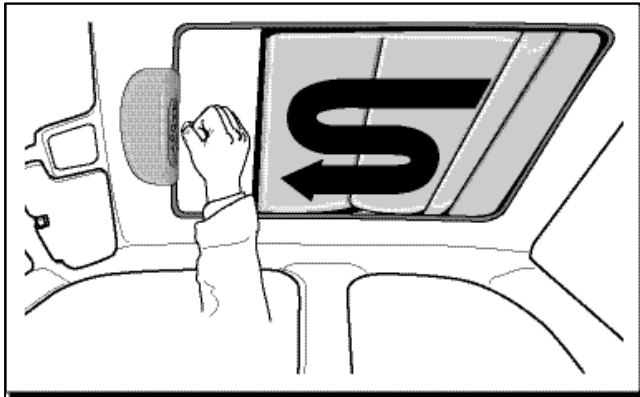
Do not open the sunroof when it is raining.



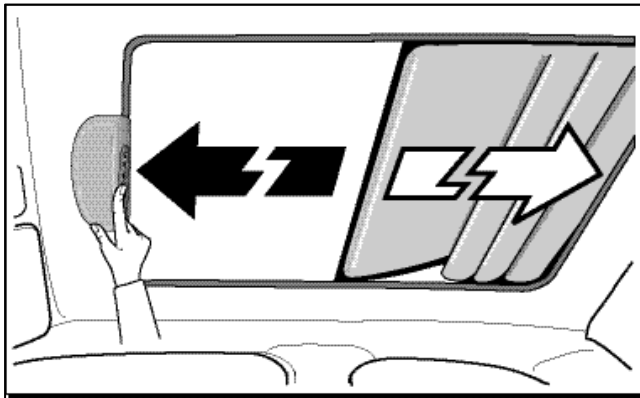
Do not operate the sunroof when the temperature is below zero degrees centigrade.



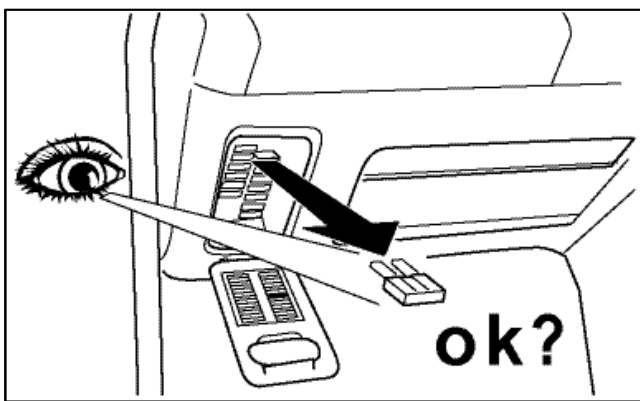
## Malfunctioning



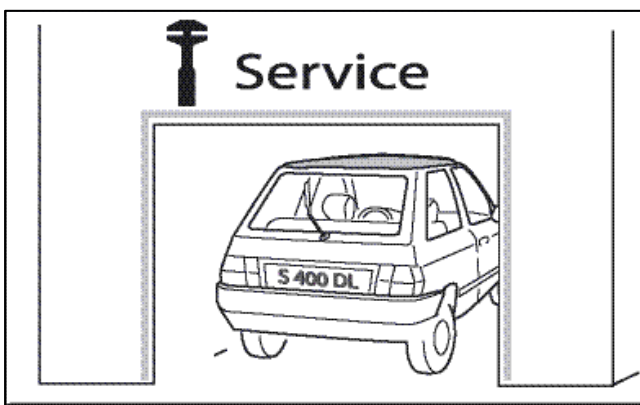
When closing the sunroof, it will open automatically when it encounters an obstacle. When the obstacle is removed, the sunroof will close automatically



If the sunroof is not functioning properly...



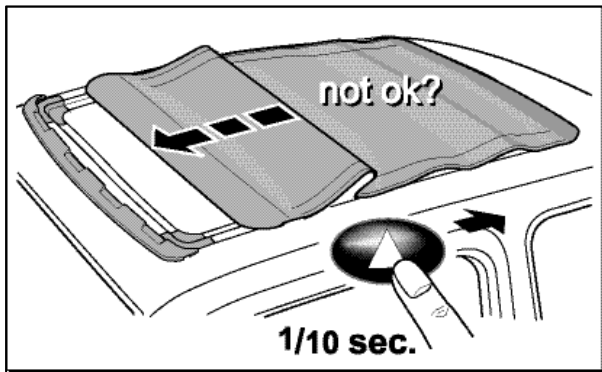
check if the fuses are OK.



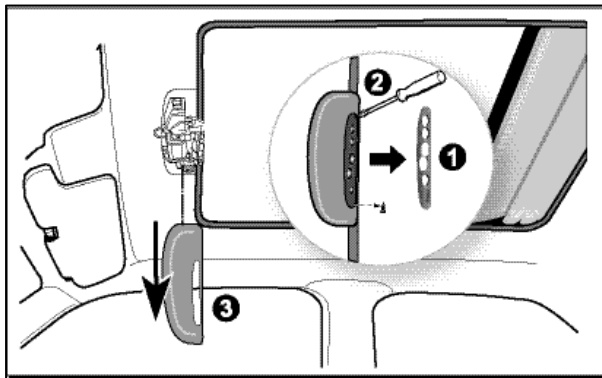
If the sunroof still does not work, go to a WebastoHollandia dealer to fix the problem.

## Operating Instructions

Hollandia 400 DeLuxe  
Nr. 2307034B  
Rev. Date 10-Aug-2018

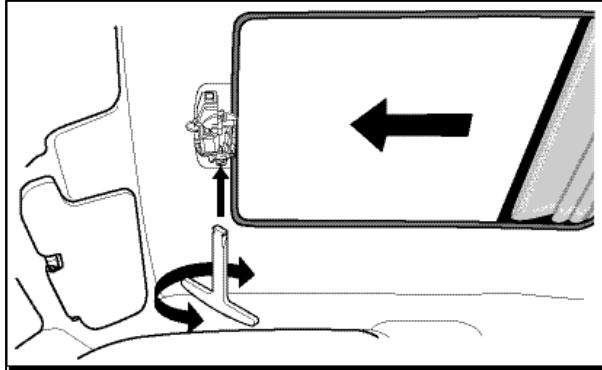


When the sunroof remained in an open position...



remove carefully the cover from the control panel.

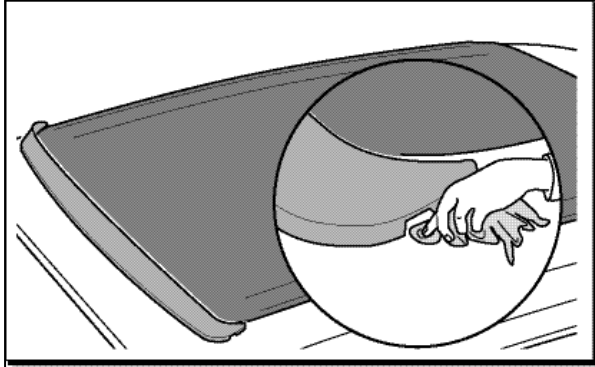
Remove the two parkers as shown on the drawing.  
Remove the motor cover.



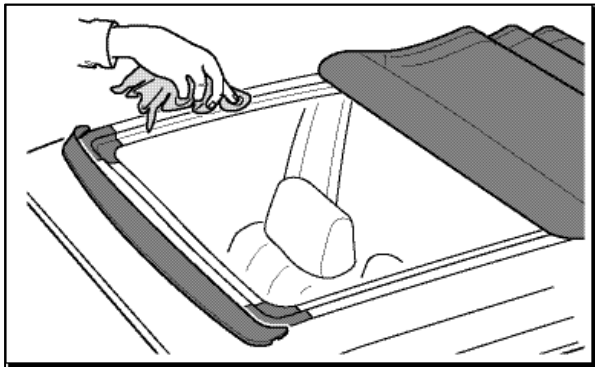
Close the sunroof. with the use of the emergency key.



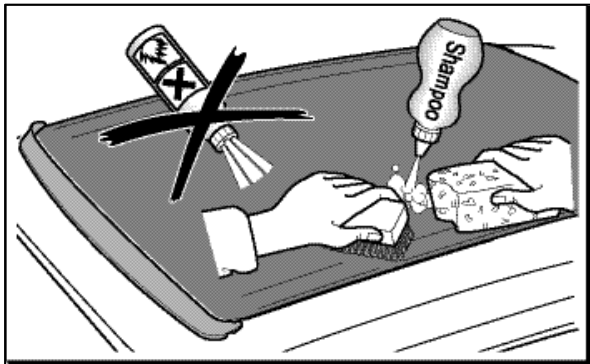
## Maintenance



Clean with a wet cloth. Keep the draining holes clear!

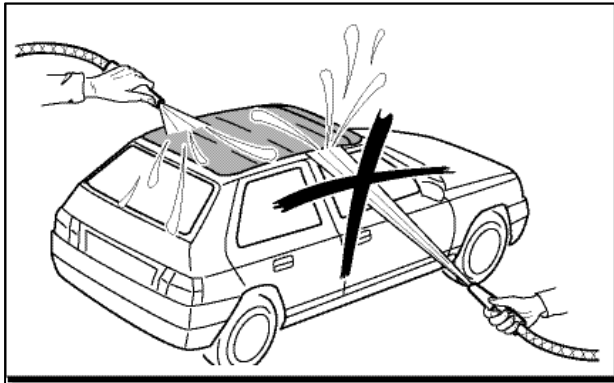


Keep the mechanism guides clean.

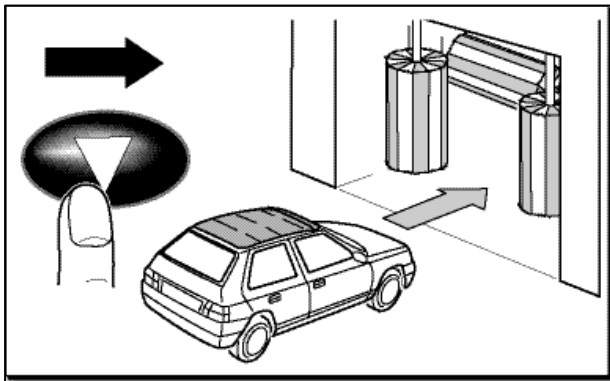


Use a soft detergent for cleaning the outer part of the sunroof.

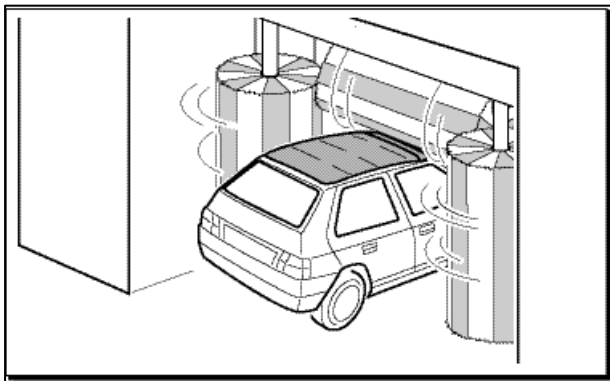
## Maintenance



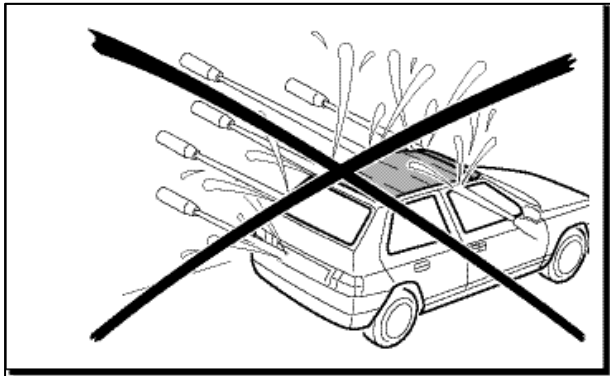
Clean the top of the sunroof with a water hose  
Do not aim at the edges!



Close the Sunroof completely...



before washing.



Do not use high-pressure water jets on the roof.