

Operating Instructions

Marine Roof

BlueSky



WARNING: Cancer and Reproductive Harm
www.P65Warnings.ca.gov

Table of Contents

1	About this Document	3
1.1	Purpose of the Document	3
1.2	Using the Document	3
1.3	Use of Symbols and Highlighting	3
1.4	Warranty	3
2	Safety	3
2.1	Intended use	3
2.2	Safety Information	3
3	Overview of Roof	4
4	Operation	4
4.1	Opening the Roof	4
4.2	Closing the Roof	4
5	Maintenance	4
6	Troubleshooting	5
7	Reset Procedure	5

1 About this Document

1.1 Purpose of the Document

These operating instructions are part of the product and provide the user with information on the safe operation of the unit.

1.2 Using the Document

- ▶ Before operating the roof, carefully read these operating instructions.
- ▶ Keep these operating instructions in the vessel.
- ▶ Hand these operating instructions on to the following owner or user of the unit.

1.3 Use of Symbols and Highlighting



WARNING

Type and source of danger

Result: non-observance can lead to severe or mortal injuries.

- ▶ Actions to protect yourself against risks.



CAUTION

Type and source of danger

Result: non-observance leads to minor injuries.

- ▶ Actions to protect yourself against risks.



ATTENTION

Type and source of danger

Result: non-observance leads to property damage.

- ▶ Actions to protect yourself against risks.



Note on a special technical feature

Highlight	Explanation
✓	Requirements for the following necessary action
▶	Necessary action

1.4 Warranty

Webasto guarantees the quality and correct operation of this marine roof. The limited warranty covers both parts and labour and is valid for 3 years after date of first delivery of the boat.

Warranty starts at the invoice date of the vessel to the first end customer, or maximum 12 months after Webasto invoice date.

The warranty applies only when the sliding roof has been installed by a Webasto authorised shipyard or installer and in accordance with Webasto installation instructions.

Defects and malfunctions caused by incorrect handling, misuse, lack of reasonable and necessary maintenance, accident and

broken panels are not covered by this warranty.

The warranty is only valid when proof of purchase can be provided.

2 Safety

2.1 Intended use

The marine roofs are meant to provide more light and fresh air on board.

2.2 Safety Information



WARNING

Entrapment by closing the roof

Injuries or suffocation.

- ▶ When closing the roof, ensure to keep all body parts and/or obstructions away from the marine roof opening.



CAUTION

Using the roof as escape hatch

Risk of injury and/or damage of components of the roof.

- ▶ Do not use the roof as an escape hatch.



ATTENTION

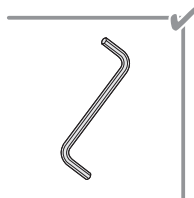
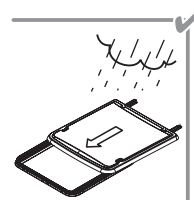
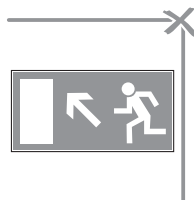
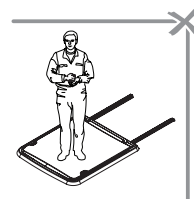
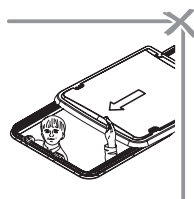
Standing or walking on the roof

Damage of components of the roof.

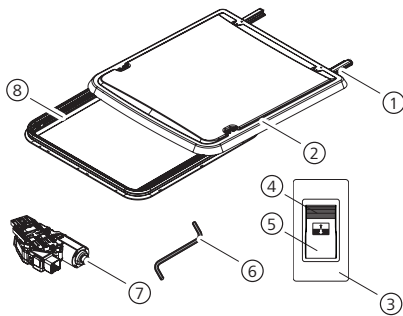
- ▶ Do not stand or walk on the roof.



Keep the emergency key in close proximity of the roof for manual operation.



3 Overview of Roof



- | | |
|----------------|-----------------|
| 1 Rails | 5 Open button |
| 2 Panel | 6 Emergency key |
| 3 Switch | 7 Motor |
| 4 Close button | 8 Guides |

4 Operation

4.1 Opening the Roof



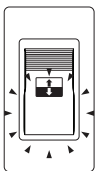
ATTENTION Opening the roof with water on top

Water intrusion into the cabin.

- ▶ Clear any standing water from the panel prior to operation.

The roof opens as long as the button is pressed.

- ✓ Main power supply is switched on.

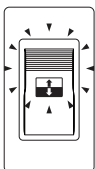


- ▶ Push and hold the open button to open the roof.
- ▶ Release the button when the roof has reached the desired position.

4.2 Closing the Roof

The roof closes as long as the button is pressed.

- ✓ Main power supply is switched on.



- ▶ Push and hold the close button to close the roof.
- ▶ Release the button when the roof has reached the desired position.

5 Maintenance



ATTENTION

Cleaning agents can contain harmful components

Damage to product.

- ▶ Never use solvents such as:

- Methylated spirits
- Turpentine
- White spirit
- Window cleaning products
- Alkaline products containing sodium solutions
- Acid products like muriatic or those containing phosphor

- ▶ Clean the roof regularly.

- ▶ Wash the panel with clean water and a soft cloth, chamois leather or sponge.



ATTENTION

Dry materials causing scratches

Scratches or damage on the roof.

- ▶ Never rub the dry surface of the roof.
- ▶ Never use steel wool, abrasives or sandpaper.

- ▶ Wash the remainder of the roof with lukewarm water with a professional marine cleaning product.

- ▶ Rinse with clean water.

- ▶ Apply a thin layer of grease (Isoflex® Topas L32) to the inside of the rails and guides to ensure smooth sliding.

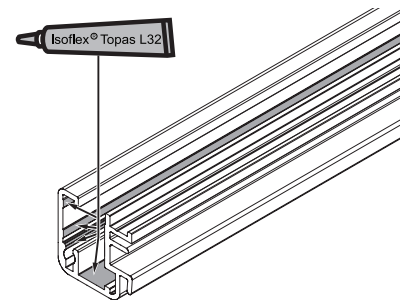


Fig. 01: Greasing guides

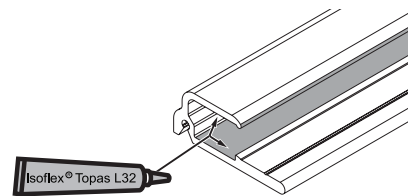


Fig. 02: Greasing rails

6 Troubleshooting

Symptom	Possible causes	Solution
Poor opening of the roof	Pollution of rubber seal.	▶ Clean seal with mild detergent
Poor sliding of the roof	Lack of grease on the rails and guides	▶ Clean and apply grease to inside of rails and guides
Roof does not slide smoothly after cleaning and greasing		▶ Contact supplier
Roof does not open / close	No Power	▶ Check battery
	Broken fuse	▶ Replace fuse
Roof does not close	Motor does not operate properly	▶ Close roof manually by turning driving shaft of motor using the emergency key ▶ Reset roof

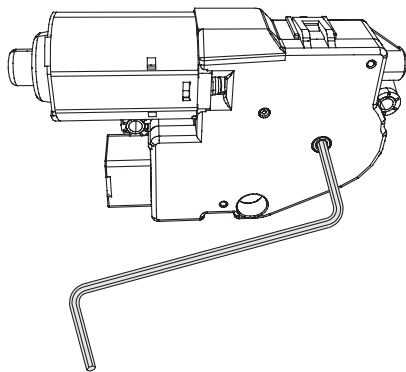


Fig. 03: Emergency key in position for turning driving shaft



CAUTION

Uncontrolled rotation of emergency keys around its own axis causing damage

Risk of injury and/or damage of components.

- ▶ Do not operate roof electrically with the switch during manual operation using emergency key(s).



ATTENTION

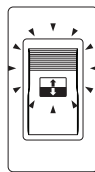
Motor does not respond as expected

Improper functioning of roof.

- ▶ Reset control system after operating roof manually.
- ▶ Read chapter "Reset procedure".

7 Reset Procedure

✓ There is a minimum of 20 A available.



- ▶ Press and hold close button.

The roof closes as far as possible.

- ▶ Release close button.

- ▶ Press and hold close button.

After approx. 10 seconds roof slides with small steps until it is completely closed.

Motor produces a loud click sound.

- ▶ Release close button.

The system has been reset.

In multilingual versions the English language is binding.

The telephone number of each country can be found in the Webasto service center leaflet or the website of the respective Webasto representative of your country.

The product can be registered by visiting www.techwebasto.com or by scanning the code.
A proof of purchase is required for all products that are not registered.



Webasto Thermo & Comfort SE
Postfach 1410
82199 Gilching
Germany

Visiting Address:
Friedrichshafener Str. 9
82205 Gilching
Germany

Only within Germany
Tel: 0395 5592 229
E-mail: kundencenter@webasto.com

www.webasto.com