

Marine Roof  
Marinedach  
Toit ouvrant Marine  
Marine schuifdak  
Tetti per la Nautica

Operating Instructions  
Bedienungsanweisung  
Notice d'utilisation  
Bedieningshandleiding  
Istruzioni per l'uso

20 Series  
20er Serie  
Série 20  
20 Series  
20 Series



**WARNING:** Cancer and  
Reproductive Harm  
[www.P65Warnings.ca.gov](http://www.P65Warnings.ca.gov)



**ADVERTENCIA:** Cáncer y  
Daño Reproductivo  
[www.P65Warnings.ca.gov](http://www.P65Warnings.ca.gov)

### TABLE OF CONTENTS / INHALTSVERZEICHNIS / INDEX / INHOUDSOPGAVE / INDICE

English .....	3
Deutsch .....	6
Français .....	9
Nederlands .....	12
Italiano .....	15

---

# 1 Operation

## 1.1 Overview

- A: Rear rails
- B: Sliding roof
- C: Release bar
- D: Guides

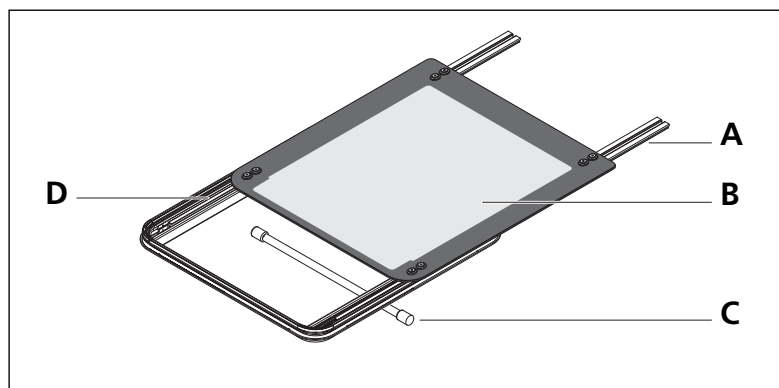
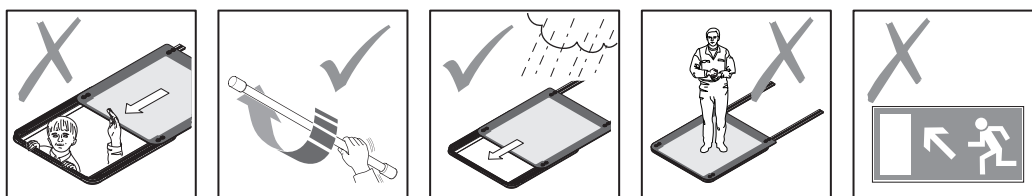


Fig. 1

## 1.2 Safety instructions



### WARNING

- Take care not to hold any body parts, animals etc. through the roof opening when closing the roof!
- Always keep the release bar (C) in locked position, unless you want to open or close the roof.  
With the release bar unlocked, the roof can be opened from outside (burglary!) and can open or close unintentionally. This can cause injuries or leakage!
- Do not stand or walk on the roof!
- Do not use the sliding roof as escape hatch!  
Make sure that another hatch is accessible for emergencies.

### 1.3 Open and close the sliding roof

1. Rotate the release bar (C) to unlock the tilting and sliding mechanism
2. Pull the release bar to move the sliding roof to the desired position
3. Rotate the release bar as far as possible to lock the roof in the new position

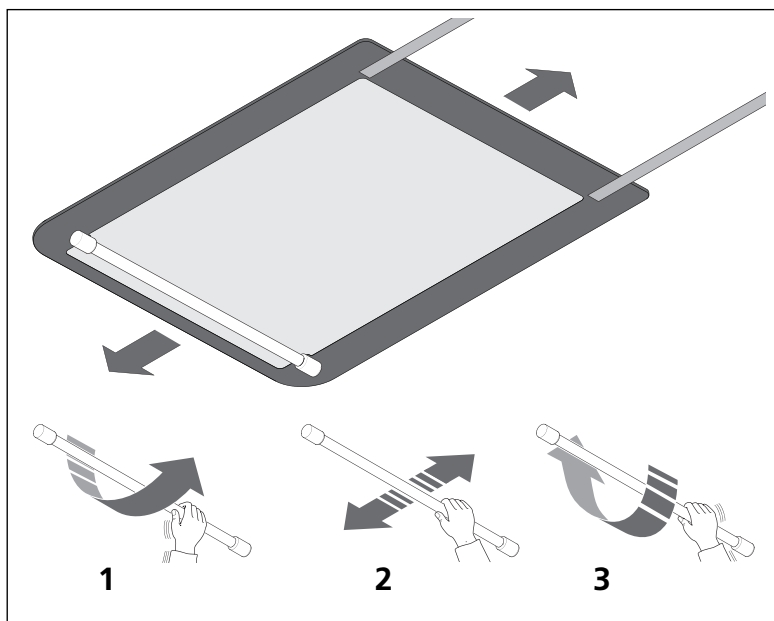


Fig. 2



#### NOTE

Do not to open the sliding roof if there is moisture on the panel.

## 2 Maintenance

- Clean the sliding roof regularly.
- Wash the roof with lukewarm water with a professional marine cleaning product. Then rinse with clean water.
- Apply a thin layer of grease (Isoflex® Topas L32) to the inside of the rear rails (A) and guides (D) to ensure smooth sliding.
- Never use:
  - Alkaline products containing sodium solutions;
  - Acid products like muriatic or those containing phosphor;
  - Steel wool, abrasives or sandpaper;
  - Cleaning products for glass containing alkaline, which can corrode aluminium.

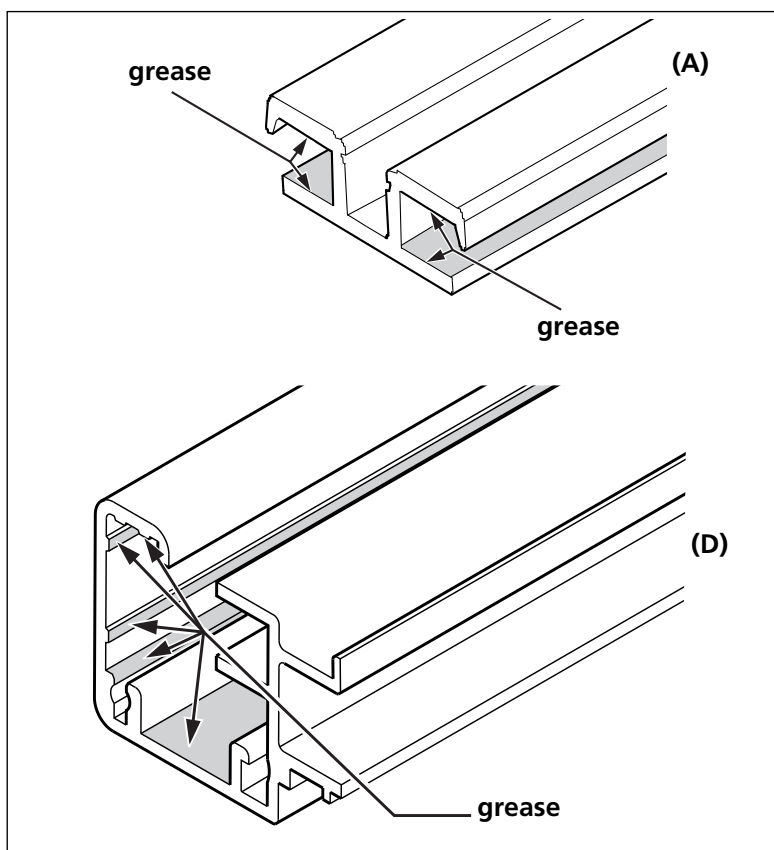


Fig. 3

### **3 In case of failure**

- Poor opening/tilting of the roof:
  - Clean the seal with a mild detergent and open/close the roof again.
- Poor sliding of the roof:
  - Clean the inside of the rear rails (A) and guides (D)
  - Apply grease to the inside of the rear rails and guides.  
See Fig. 1 and Fig. 3 and paragraph 2: "Maintenance".
- If the roof still does not move smoothly, please contact the supplier of the boat for maintenance/repair.

### **4 Warranty**

Webasto guarantees the quality and correct operation of this sliding roof. The limited warranty covers both parts and labour and is valid for 3 years after date of first delivery of the boat.

Warranty starts at the invoice date of the vessel to the first end customer, or maximum 12 months after Webasto invoice date.

The warranty applies only when the sliding roof has been installed by a Webasto authorized shipyard or installer and in accordance with Webasto installation instructions.

Defects and malfunction caused by incorrect handling, misuse, lack of reasonable and necessary maintenance, accident and broken panel are not covered by this warranty.

The warranty is only valid when proof of purchase can be submitted.

### **5 REGISTRATION**

The product can be registered by visiting [www.techwebasto.com](http://www.techwebasto.com) or by scanning the code.

A proof of purchase is required for all products that are not registered.



In multilingual versions the English language is binding.

Im Fall einer mehrsprachigen Version ist Englisch verbindlich.

Dans le cas d'une version redigee en plusieurs langues, l'anglais est alors la langue qui fait foi.

Bij een meertalige versie is de Engelse versie bindend.

Nel caso di una versione plurilingue l'inglese è vincolante.

**Webasto Product International NL**

Constructieweg 47

NL - 8263 BC Kampen

The Netherlands

Phone: +31 (0) 38 337 11 37

Fax: +31 (0) 38 332 51 81

E-mail: [info-nl@webasto.com](mailto:info-nl@webasto.com)

Internet: [www.webasto.com](http://www.webasto.com)