

Category: Heater



Document Number: 5011625B

Date: 7/29/2015 Rev: 8/22/2018

Description: **1529 / 1531 Conversion to SmarTemp Control fx**

Summary

Since the launch of the SmarTemp Control fx timers (2014), the Webasto 1529 and 1531 heater displays will be phased out late in 2015. When upgrading to a SmarTemp Control fx from either the 1529 or 1531 controller, follow the instructions below.

Conversion Kit P/N: 5011623

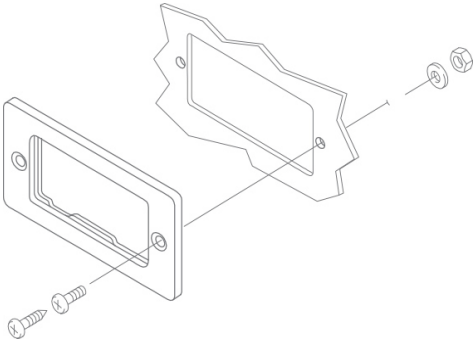
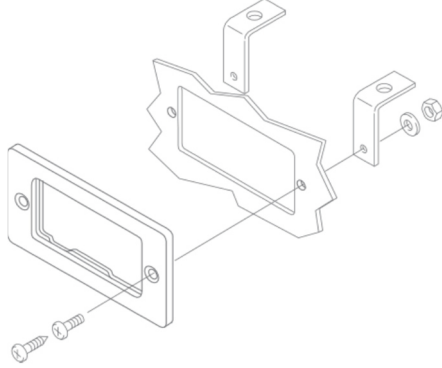
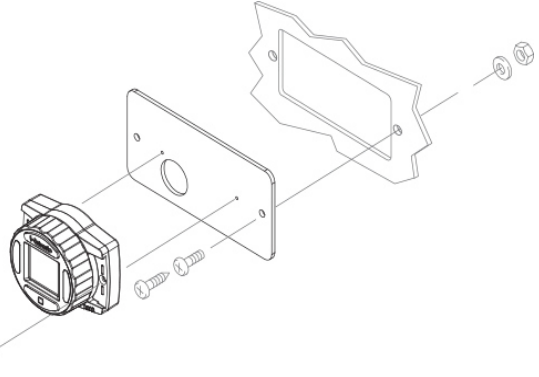
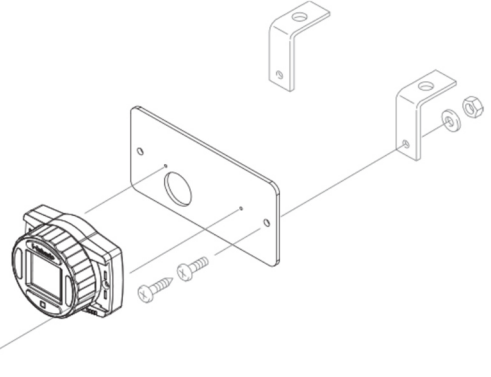
Electrical Connection to SmarTemp Control fx



WARNING: Cancer and Reproductive Harm
www.P65Warnings.ca.gov

<p>Wires from 1529 timer connector to be used</p> <ul style="list-style-type: none"> Position 6 - Red (B+ Power) Position 7 - Black (Heater Signal) Position 5 - Brown (Ground) Position 8 - Not used (Yellow) Position 4 - Not used (Violet) Position 3 - Not used (Gray) Position 2 - Not used (Blue / Green) 	<p>Wires from 1531 timer connector to be used</p> <ul style="list-style-type: none"> Position 11 - Red (B+ Power) Position 2 - Black (Heater Signal) Position 4 & 12 - Brown or White (Ground) Position 8 - Not used (Gray) Position 1 - Not used (Yellow) Position 10 - Not used (Violet)
<p>After discarding the 1529 / 1531 connector install the supplied spade terminals on the appropriate wires using the wire descriptions above.</p>	

NOTE: If a SmarTemp Control fx is being installed with a Thermo 90S / 90ST heater; PIN 4 (Green Wire) can be connected to the green wire of the Webasto vehicle side harness to maintain diagnostic blink code functionality.
Mount SmarTemp Control fx

Typical Mounting of a 1529 / 1531	
Standard mount directly to surface (i.e. dashboard)	Standard mounting using "L" brackets (i.e. below dashboard)
	
Mount SmarTemp Control fx to existing 1529 / 1531 mounting surface using adapter plate	
Standard mount directly to surface (i.e. dashboard)	Standard mounting using "L" brackets (i.e. below dashboard)
	

If you have any questions, contact our technical support team at (800) 860-7866 or via email at: info-us@webasto.com.