

## Category: Marine

Document Number: 5010366A

Date Posted: 7/19/2011

Description: **WBCC 30,000 BTU Mounting Instructions**

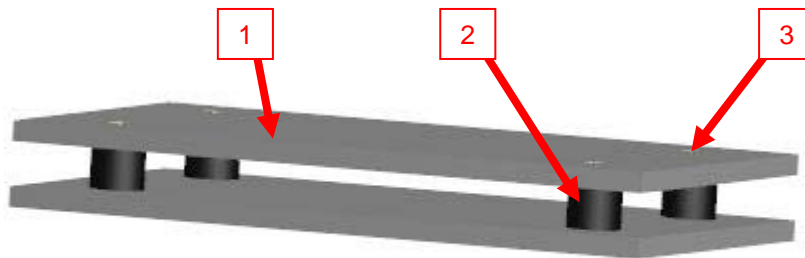
### Overview

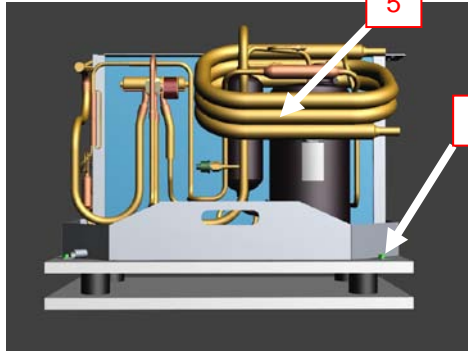
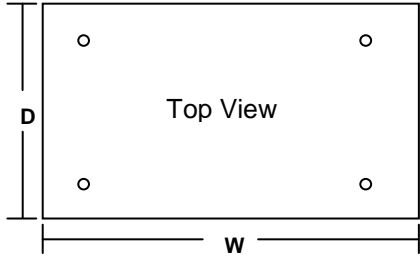
Thank you for choosing Webasto as your source for all of your marine air conditioning needs. This kit includes mounting hardware to properly mount a WBCC 30,000 BTU Marine air conditioner.

**NOTE:** Hardware to mount this kit to the vessel must be supplied by the installer.

### Kit Contents

Complete Kit P/N: 5010361A			
Position	Part Number	Description	Quantity
1	5010362A	Hard Board	2
2	5010363A	Isolators	4
3	5010364A	Bolts	8
4	5010365A	Securing Bolts	4
5	WBCL005122A	BlueCool 30,000 BTU Unit	1
N/A	5010389A	Authorized Installer Disclaimer	1



	<b>Total dimensions including 2" surrounding breathing clearance</b>	
	Width =	<b>30"</b> (762 mm)
	Height =	<b>20"</b> (508 mm)
	Depth =	<b>23"</b> (584 mm)
 <p style="text-align: center;">Top View</p>		

If you have any questions, contact our technical support team at (800) 860-7866 or via email at: [info-us@webasto.com](mailto:info-us@webasto.com).