

## Thermo Top C (TTC) Heater Mounting Locations & Precautions

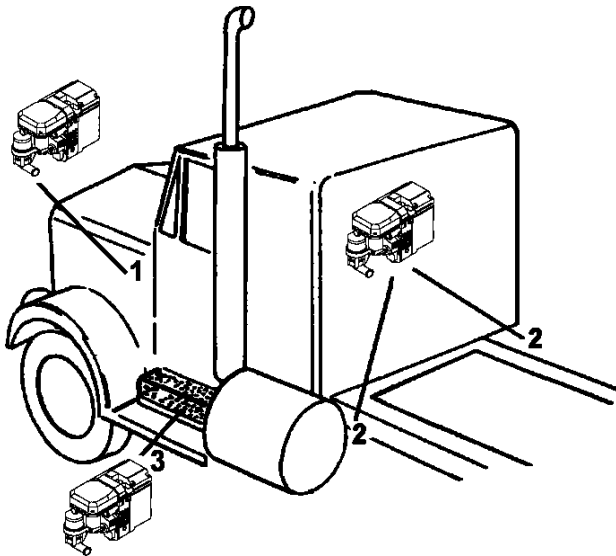
12-8-2010

In order to ensure the successful operation of your Webasto TTC heater, the installation parameters and procedures described on pages 401 and 402 of the installation manual supplied with the heater kit must be adhered to.

### **DO NOT MOUNT HEATER DIRECTLY TO THE ENGINE!**

Extreme vibration developed by the engine will affect heater operation and may result in component damage over time.

See diagram below for suggested installation locations.



1. Inside of the engine compartment in a splash protected area not affected by heavy engine vibration.
2. On left or right side of the vehicle frame.
3. Inside an under-step compartment or spare battery box (ensure adequate combustion air supply).

Should any difficulties with an installation be encountered or should you have any questions regarding this service information, contact an authorized Webasto Thermosystems, Inc. dealer or Webasto directly at:

USA: 1-800-860-7866  
Canada: 1-800-667-8900