

Category: Heater

Document Number: PI042BC

Date Posted: 9/10/2010

Description: **DBW 2010 Scholastic Exhaust Assembly Solid Pipe**

Overview:

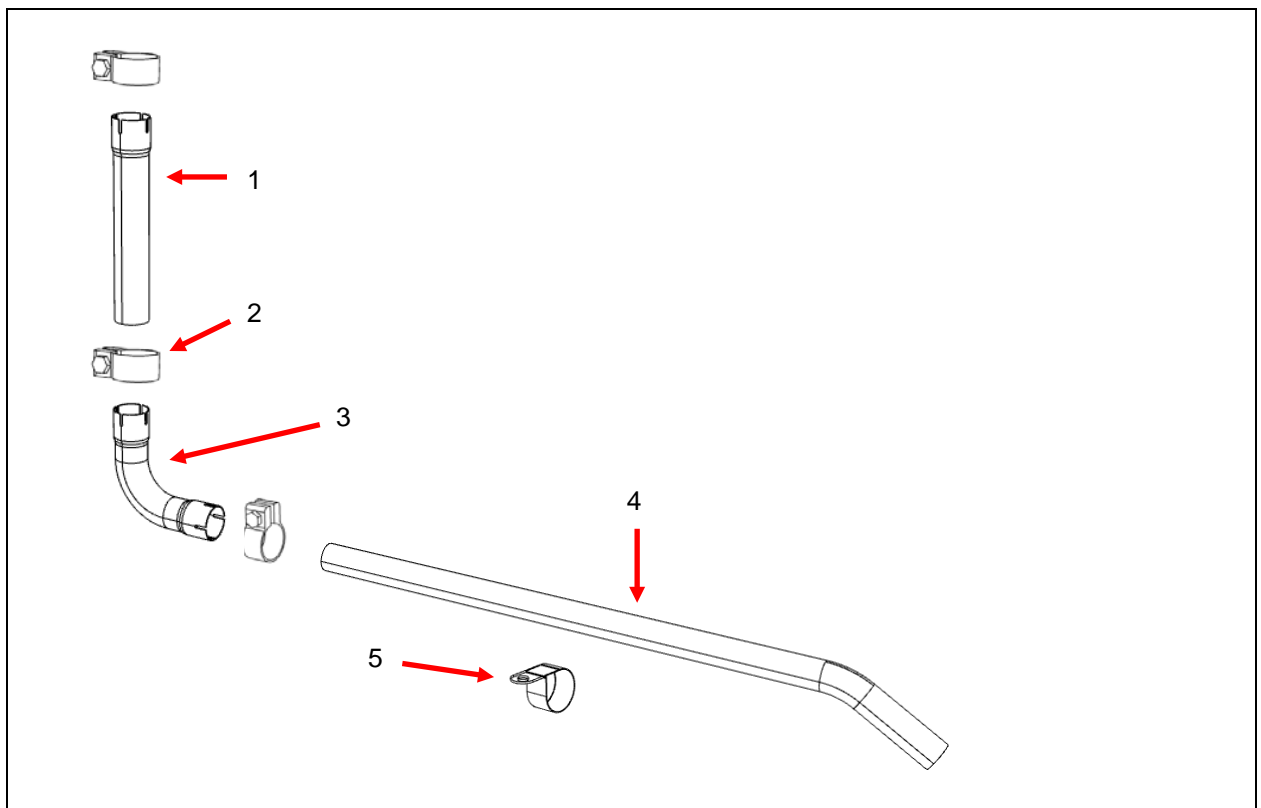
A special kit has been designed for certain bus markets that require the use of a solid exhaust pipe for the Webasto DBW 2010 Heater Assembly. Specific states may require this upgrade when installing auxiliary heating systems in a school bus. Please check your state / local requirements.

Kit Contents:

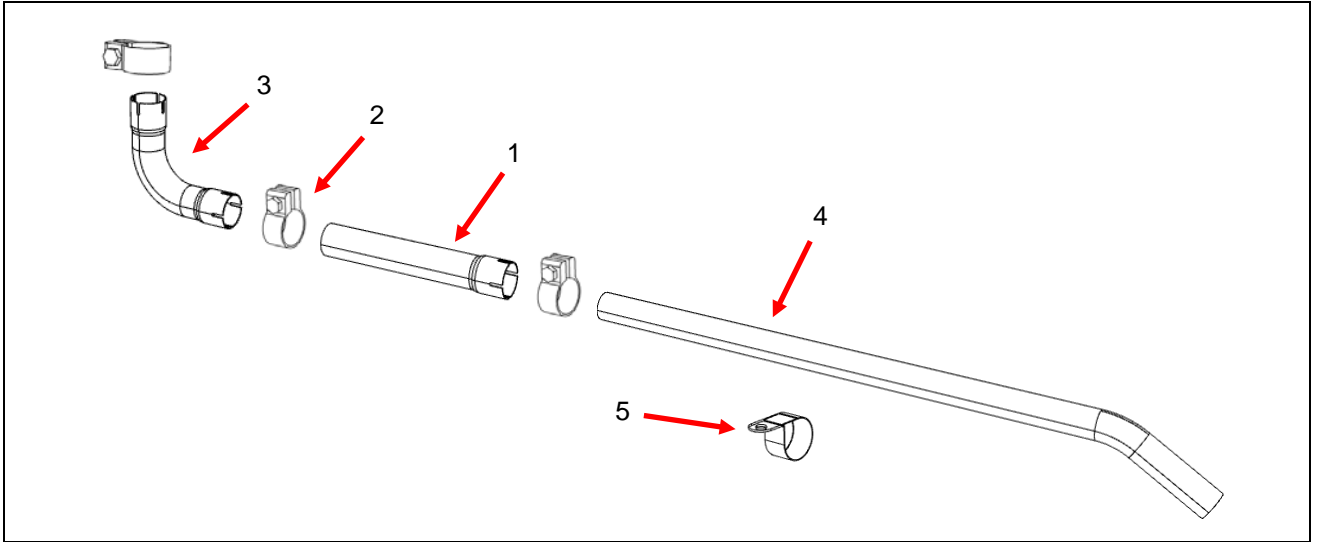
| Quantity | Part | Part Number | Item Number |
|----------|---|-------------|-------------|
| 1 | Complete Kit | 5010216A | All |
| 1 | 9" (228mm) 1 ½ O.D. Exhaust Extension | 5010213A | 1 |
| 3 | Exhaust Clamps (Torque 20 ft/lbs) | 367400Z | 2 |
| 1 | 5.4" (138mm) 1 ½" O.D. 90° Exhaust Pipe | 5010214A | 3 |
| 1 | 32" (812mm) 1 ½ O.D. Exhaust Pipe End | 5010215A | 4 |
| 1 | 1 P Clamp | 126830Z | 5 |

Solid Pipe Configurations:

Configuration 1:



Configuration 2:



If you have any questions, contact our technical support team at (800) 860-7866 or via email at info@webasto-us.com.