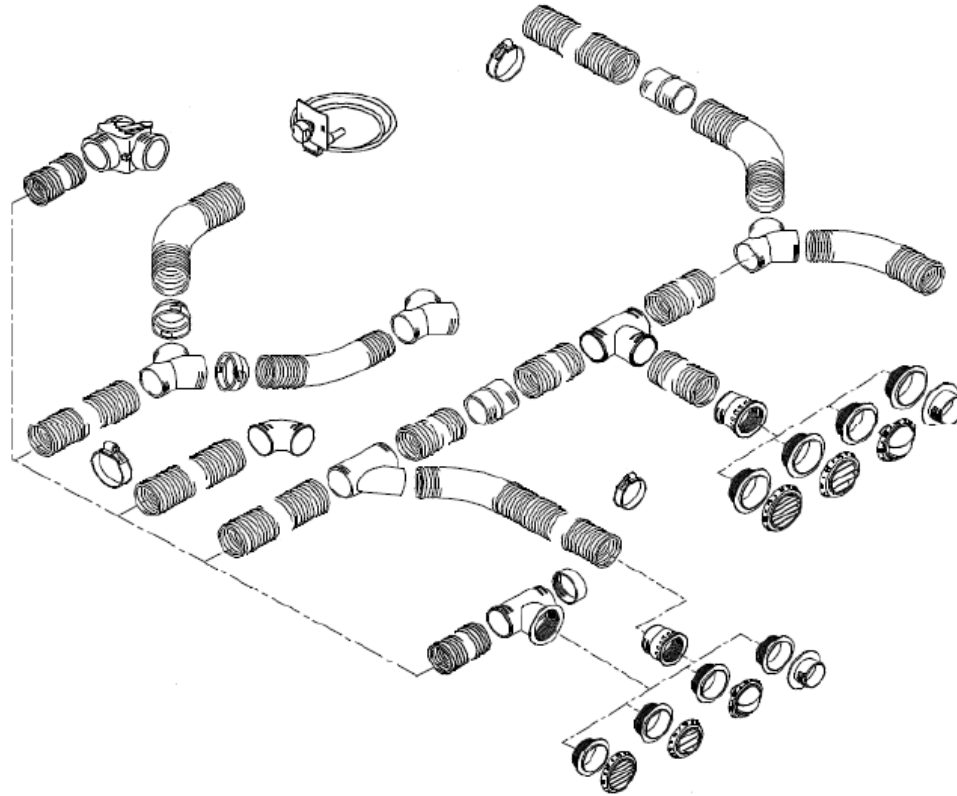
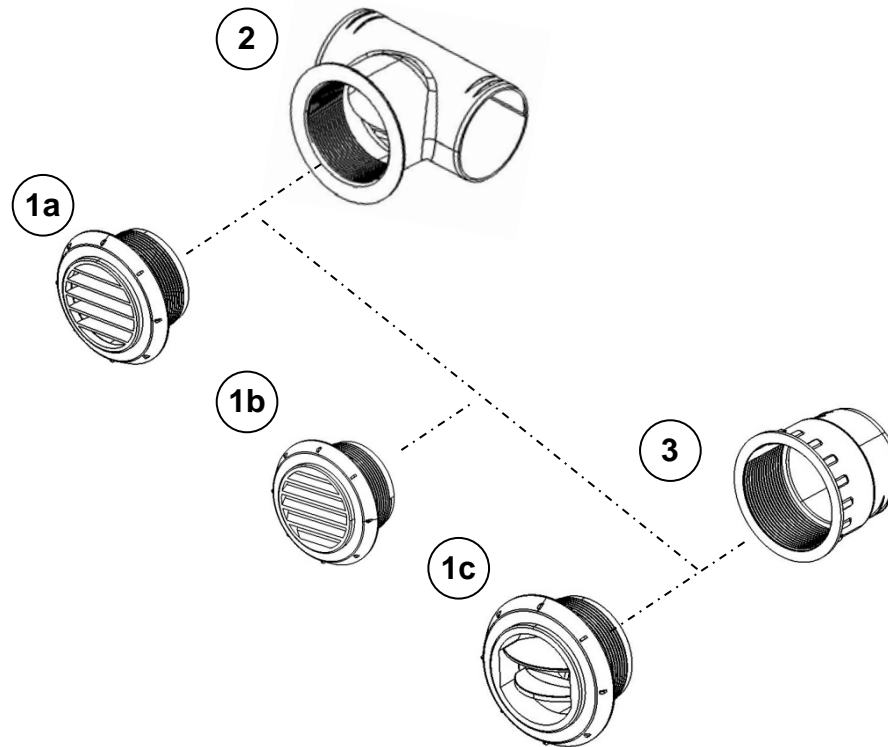


# *Ducting Parts & Ducting*



## Air outlet system D60

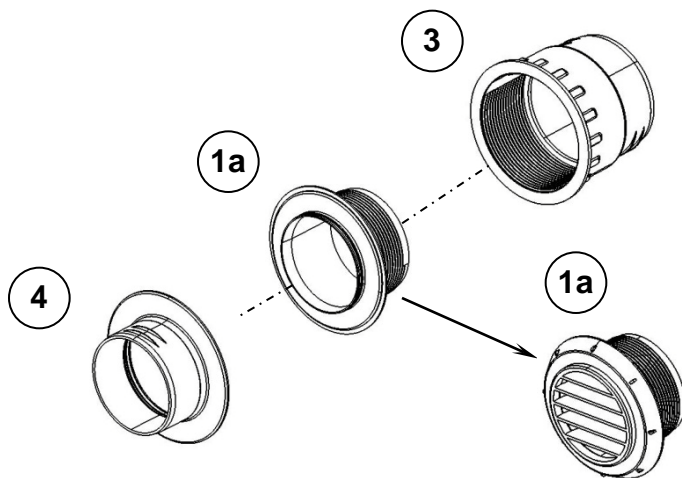


## Air outlet system D60

Pos.	Part N.	Description
1a	9012297A	Air outlet D60, 90°, black
1a	9012298A	Air outlet D60, 90°, white
1a	9012299A	Air outlet D60, 90°, grey
1a	9015003A	Air outlet D60, 90°, brown
1b	9012294A	Air outlet D60, 45°, black
1b	9012295A	Air outlet D60, 45°, white
1b	9012296A	Air outlet D60, 45°, grey
1b	9015000A	Air outlet D60, 45°, brown

Pos.	Part N.	Description
1c	9012300A	Air outlet D60, closeable , black
1c	9012301A	Air outlet D60, closeable , white
1c	9012302A	Air outlet D60, closeable , grey
1c	9014998A	Air outlet D60, closeable , brown
2	9009267B	T-part 90/60/90 for the outlet with internal screw thread, black
2	9009268B	T-part 60/60/60 for the outlet with internal screw thread, black
3	9009239B	Muffle for the outlet D60 with internal screw thread, black

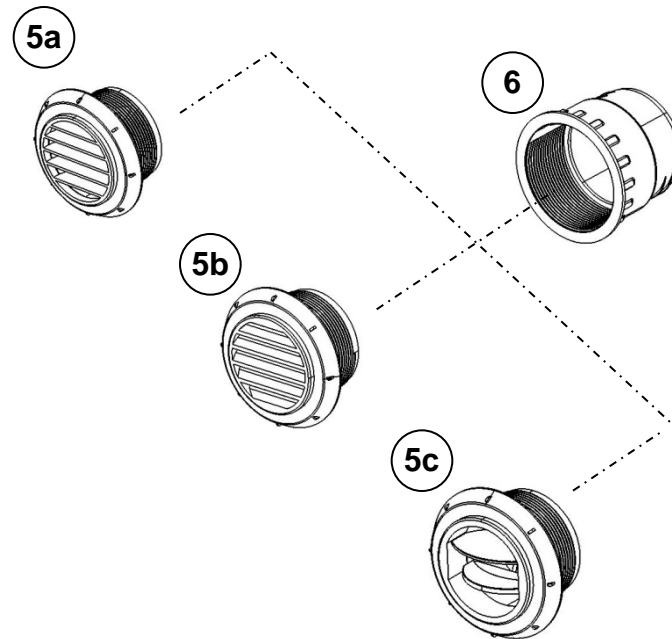
## Wall trough system D60



wall pipe available as part of the complete air outlet

Pos.	Part N.	Description
1a	9012297A	Air outlet D60, 90°, black
1a	9012298A	Air outlet D60, 90°, white
1a	9012299A	Air outlet D60, 90°, grey
3	9009239B	Muffle for the outlet D60 with internal screw thread, black
4	9009249C	Wall pipe D60 adaptor, black

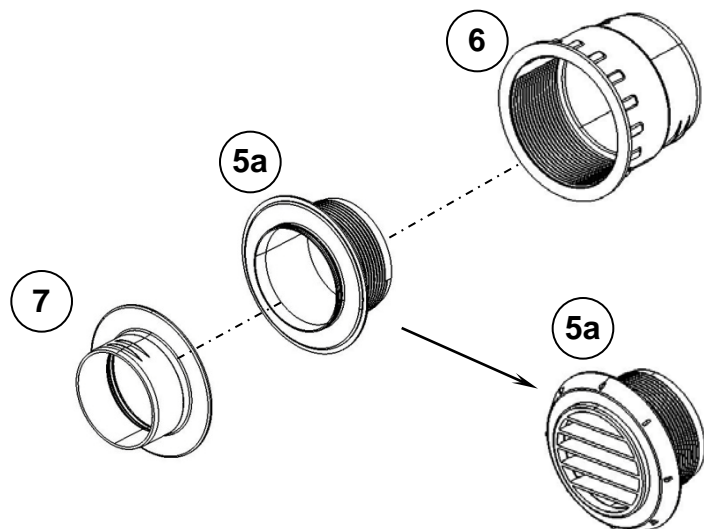
## Air outlet system D90



## Air outlet system D90

Pos.	Part N.	Description
5a	9012288A	Air outlet D90, 90°, black
5a	9012289A	Air outlet D90, 90°, white
5a	9012290A	Air outlet D90, 90°, grey
5b	9012285A	Air outlet D90, 45°, black
5b	9012286A	Air outlet D90, 45°, white
5b	9012287A	Air outlet D90, 45°, grey
5c	9012291A	Air outlet D90, closeable, black
5c	9012292A	Air outlet D90, closeable, white
5c	9012293A	Air outlet D90, closeable, grey
6	9009240B	Muffle for the outlet D90 with internal screw thread, black

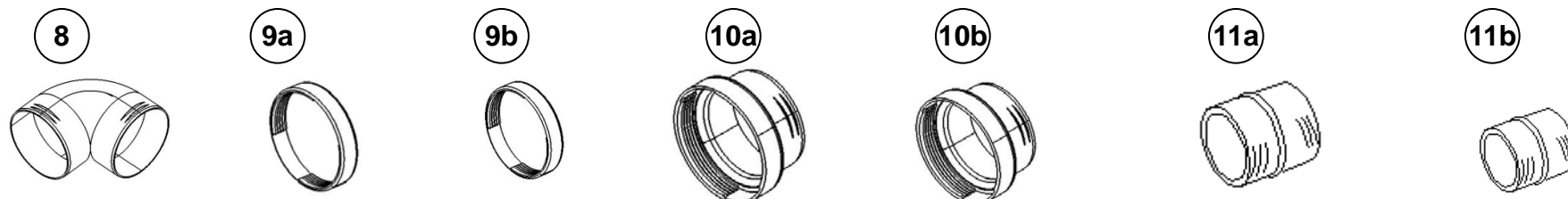
## Wall through system D90



Wall pipe available as part of the complete air outlet

Pos.	Part N.	Description
5a	9012288A	Air outlet D90, 90°, black
5a	9012289A	Air outlet D90, 90°, white
5a	9012290A	Air outlet D90, 90°, grey
6	9009240B	Muffle for the outlet D90 with nternal screw thread, black
7	9009250C	Wall pipe D90 adaptor, black

## Connection parts



Pos.	Part N.	Description
8	9009260C	Elbow 90-90, 90°, black
9a	9009271D	End cup D90, black
9b	9009319D	End cup D60, black
10a	9009270B	Reduction part 90-80, black
10b	9011011C	Reduction part 90-60, black
11a	9009259C	Pipe connector 90-90, straight, black
11b	9009258C	Pipe connector 60-60, straight, black

## Connection parts

12a



12b



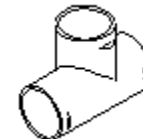
13a



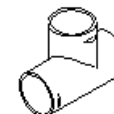
13b



14a

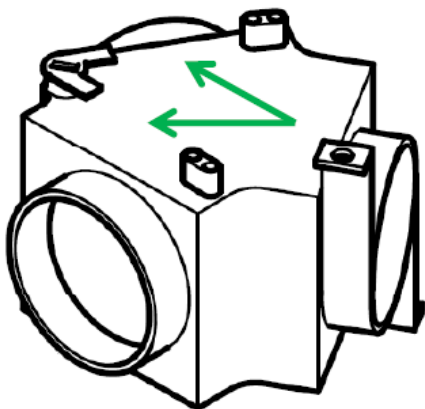


14b



Pos.	Part N.	Description
12a	9009261D	Y-part 90/90/90, black
12a	1312124B	Y-part 60/60/60, black
12b	9009262B	Y-part 80/60/60, black
13a	9009263B	Junction 90/60/90, black
13b	9009264B	Junction 60/60/60, black
14a	9009265C	T-part 90/90/90, black
14b	9009266C	T-part 60/60/60, black

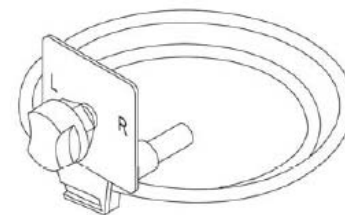
## Distributors



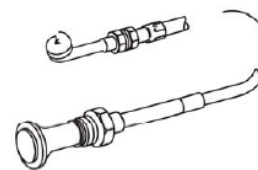
**9009642A: Distributor with Butterfly Valve  $\varnothing$  60-60-60**

**100567: Distributor with Butterfly Valve  $\varnothing$  80-80-80**

**9009641A: Distributor with Butterfly Valve  $\varnothing$  90-90-90**



**9008255A: Control Device for Butterfly Valve**



**107812: Control Cable 850mm**



I.D.	Tube Length							
	0.5M	1M	1.5M	2M	3M	5M	10M	25M
60mm i.d.	5000258A	900497A	5000693A	5000316A	5000692A	5000317A	5000318A	50398497A
80mm i.d.	5000260A	5000261A	NA	5000319A	NA	5000320A	5000321A	50398519A
90mm i.d.	5000264A	5000265A	5000266A	NA	NA	5000753A	NA	5090395A