

## Installation / Wiring Modification Instructions for Sleeper Pak P.N. 906543. Associated Products - Thermo 90 S & DBW 2010.73

### For Use On the Following Vehicles:

- Freightliner - Century Class, Classic, FLD
- Kenworth - Modular Sleeper Box, T2000
- Kenworth - AeroCab & Studio Sleeper built before September 1996
- Mack - CL, CH, Vision
- Peterbilt - Model 387
- Sterling Truck with Sleeper Unit (all)
- Western Star - All Models
- Volvo VN - fan speed controlled through positive side wiring (ending 1995 inclusive)
- Volvo VN - fan speed controlled through negative side wiring (year starting 1996)
- Volvo WIA

### Kit Contents:

- Thermostat - P.N. 70947A
- Wiring Harness - P.N. 905614B

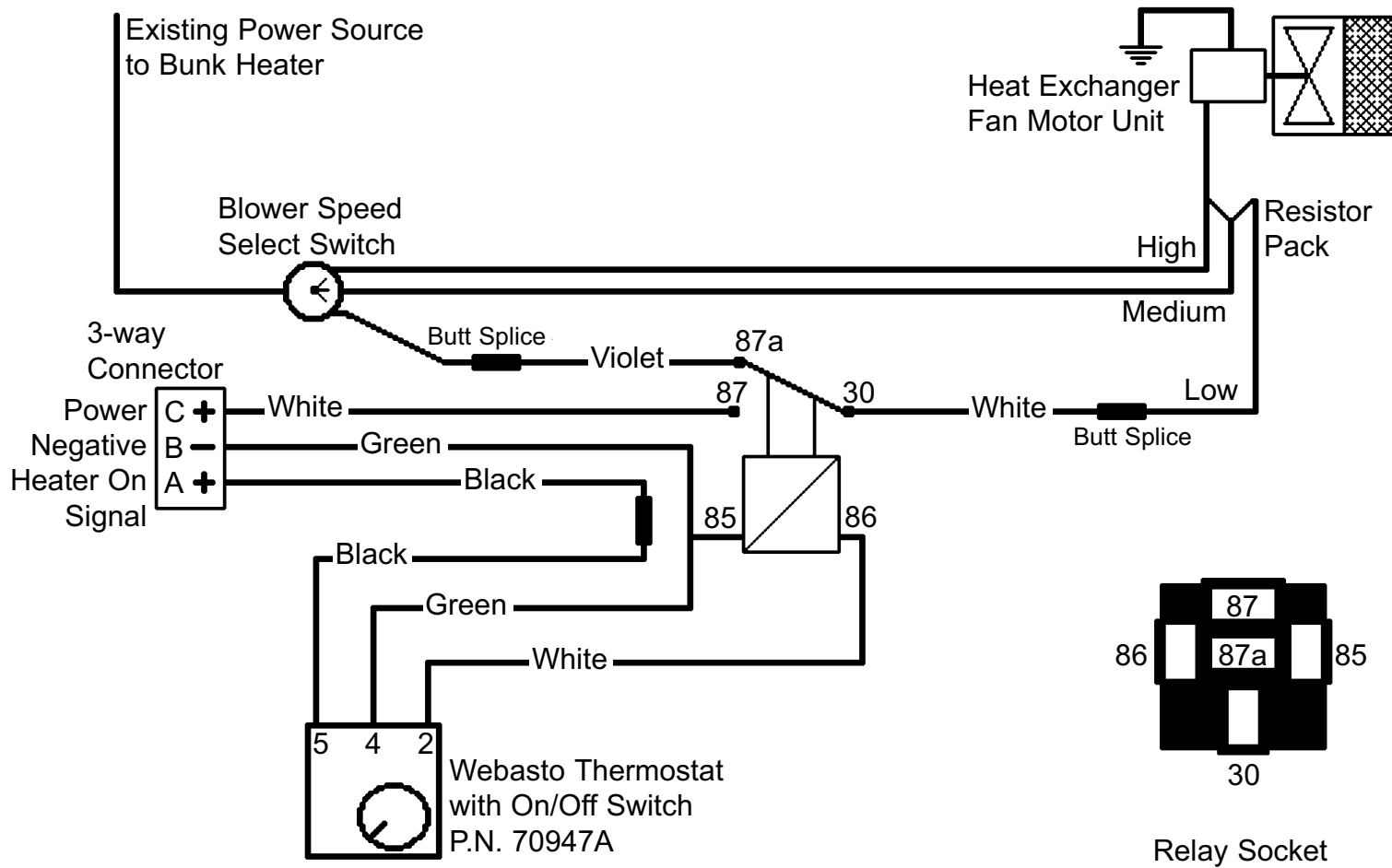
### Installation Instructions

1. Install the Webasto thermostat. Locate the thermostat in an area where the routing of the wiring is possible, about half way between the ceiling and bed. Do not locate in the direct airflow from the heat exchanger. The bunk control panel is usually the preferred location.
2. Mount interlock relay near the heat exchanger.
3. Route the blower interlock harness (with 3-pin Deutsch connector) to the Webasto heater. Route the thermostat harness from the interlock relay at the heat exchanger to the thermostat and secure every 12 inches.
4. Make the wiring connections at the thermostat and heater unit per wiring schematics shown on page 2, 3 or 4 depending on truck make and model.
5. Plug the Deutsch connector into the Deutsch receptacle located in the Webasto heater enclosure.
6. Insert a 10 Amp. fuse into the fuse holder located in the Webasto heater enclosure.

## General Wiring Connections with Interlock Harness P.N. 905614B

Use with all vehicles listed **EXCEPT:**

Volvo VN with fan speed controlled through negative side wiring (year starting 1996)  
and Sterling Trucks (all)



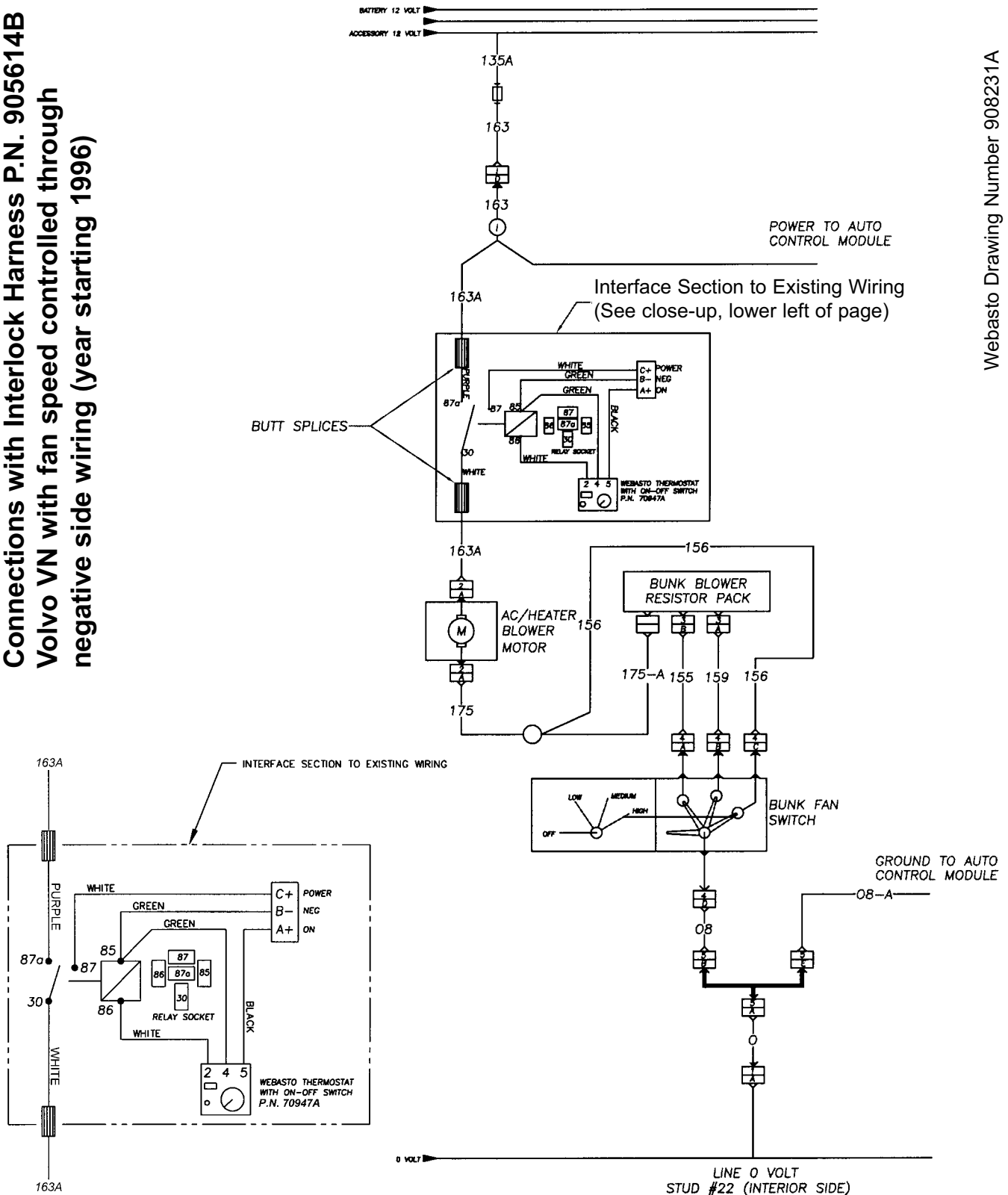
# Installation Instructions

Sleeper Pak P.N. 906543



**Connections with Interlock Harness P.N. 905614B  
 Volvo VN with fan speed controlled through  
 negative side wiring (year starting 1996)**

Webasto Drawing Number 908231A



For questions concerning these installation instructions or products detailed on this sheet, call: 1-800-555-4518 USA  
 1-800-667-8900 Canada



## Final System Checks for Proper Operation

When the Webasto heater is switched on and the thermostat is set to a temperature higher than ambient temperature in the bunk, the bunk blower motor should operate at medium low speed. Turning the thermostat dial to a lower setting than the ambient temperature in the bunk should turn the bunk blower motor off.

**IMPORTANT!** Do not set fan speed control above medium speed on the Volvo VN with fan speed controlled through negative side wiring (year starting 1996). The 10 amp. interlock system fuse located in the Webasto heater enclosure will respond as a result.

**DO NOT** increase fuse rating! It is not recommended that the heating system be operated on high speed due to increased battery draw and subsequent reduction in operating time.

**NOTE:** On all other vehicles listed, the blower motor speed selector on the bunk control panel must be set to "OFF" during Webasto heater operation. When the Webasto heater is switched off, operation of all bunk blower motor functions should resume normal OEM system control.

## Operation

With the engine off and the Webasto heater on.

Switching the thermostat on and setting the thermostat dial to a point higher than the ambient temperature in the bunk will energize a relay which will then switch power to the fan allowing it to operate. When ever the Webasto heater system is not in use, (thermostat switch "OFF") the OEM heating system will operate in the standard mode as before modification.

### Fan Speed Selection

**Volvo VN with fan speed controlled through negative side wiring (year starting 1996).**

Set the fan speed select switch on the sleeper control panel to low or medium speed whenever the Webasto heater and thermostat are in use. **DO NOT** use high speed setting! The 10 amp. interlock system fuse located in the Webasto heater enclosure will respond as a result.

When the Webasto heater is switched off, operation of all bunk blower motor functions will resume normal OEM system control.

### All other truck make and models listed.

The blower motor speed selector on the bunk control panel must be set to "OFF" during Webasto heater operation.

When the Webasto heater is switched off, operation of all bunk blower motor functions will resume normal OEM system control.