



**Fuel Pump Pressure Pipe Service Kit - Part Number 5000216A**

01/20/2002

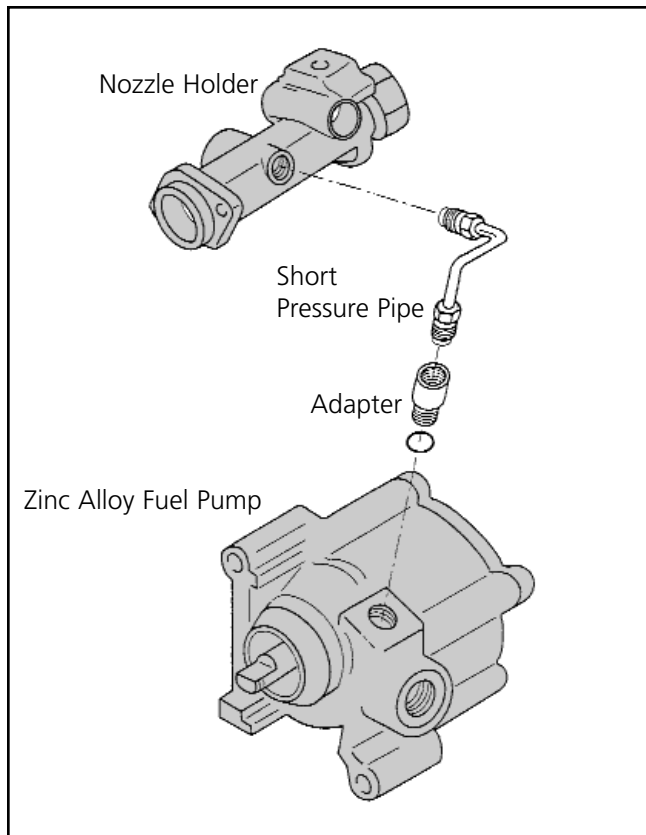
**New Pressure Pipe Service Kit for Webasto DBW 2010 / DBW 2020 / DBW 300 Coolant Heaters**

This new service kit contains two types of the high pressure fuel connection pipe that runs between the fuel pump and the fuel nozzle holder. The kit allows service of high pressure pipes on both zinc alloy and aluminum alloy fuel pumps. Depending on which pump is installed, the appropriate high pressure pipe must be used. Service kit part number 66549A (for zinc alloy pumps only) will be discontinued and replaced with the new service kit for both pumps now in use.

Using the illustrations below, identify which pump you are working with to determine which pressure pipe to use.

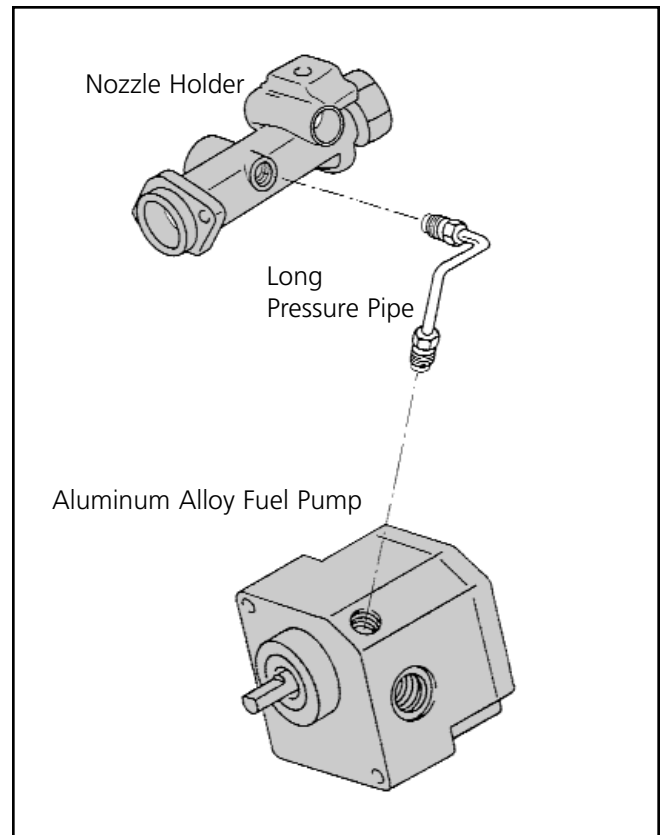
The "short" pipe and adapter is used with the zinc alloy fuel pump as shown in illustration A.

The "long" pipe (without adapter) is used with the aluminum alloy fuel pump as shown in illustration B.



**Illustration A**

Zinc alloy fuel pump with "short" fuel pressure pipe and adapter.



**Illustration B**

Aluminum alloy fuel pump with "long" fuel pressure pipe and no adapter.