

Installation Instructions

Thermo 50 Installation Supplement for TSL 17 Manual



Control Harness Connections - 24 Volt Thermo 50 Heater

Refer to the TSL 17 installation manual part number 907512 included with the heater kit for instructions on mounting the switch or optional timer model 1531 into the instrument panel or location of your choice.

Refer to the following wiring and connection diagrams illustrated in this supplement when making connections from control harness to switch or optional timer model 1531.

⚠ CAUTION

Do not attempt to connect the 24 volt Thermo 50 heater control harness to switch or optional timer according to the wiring diagrams illustrated in the TSL 17 installation manual part number 907512. The wiring diagrams in the TSL 17 manual are intended for the 12 volt TSL 17 heater only. Refer only to the wiring diagrams illustrated in this supplement for connections to the 24 volt Thermo 50 heater.

Control Harness to Switch Connection Points

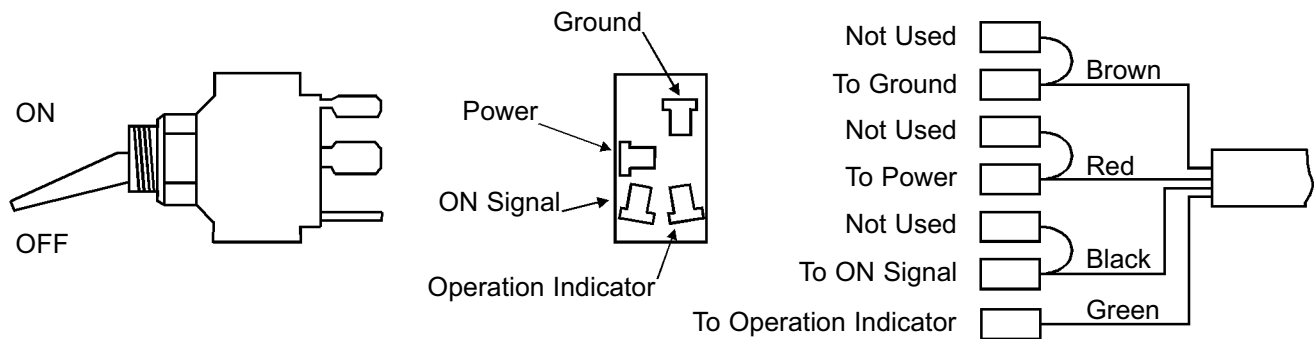


Figure 1: On/Off Toggle Switch

Control Harness to Optional Timer Model 1531 Connection Points

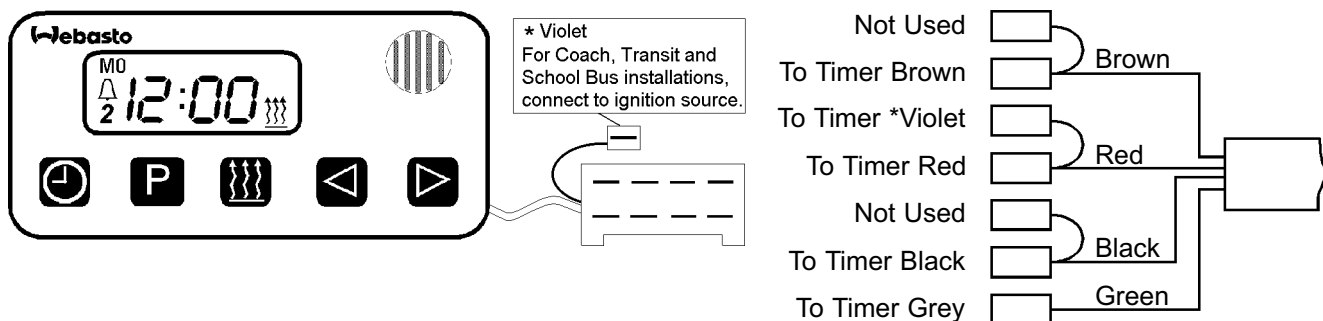


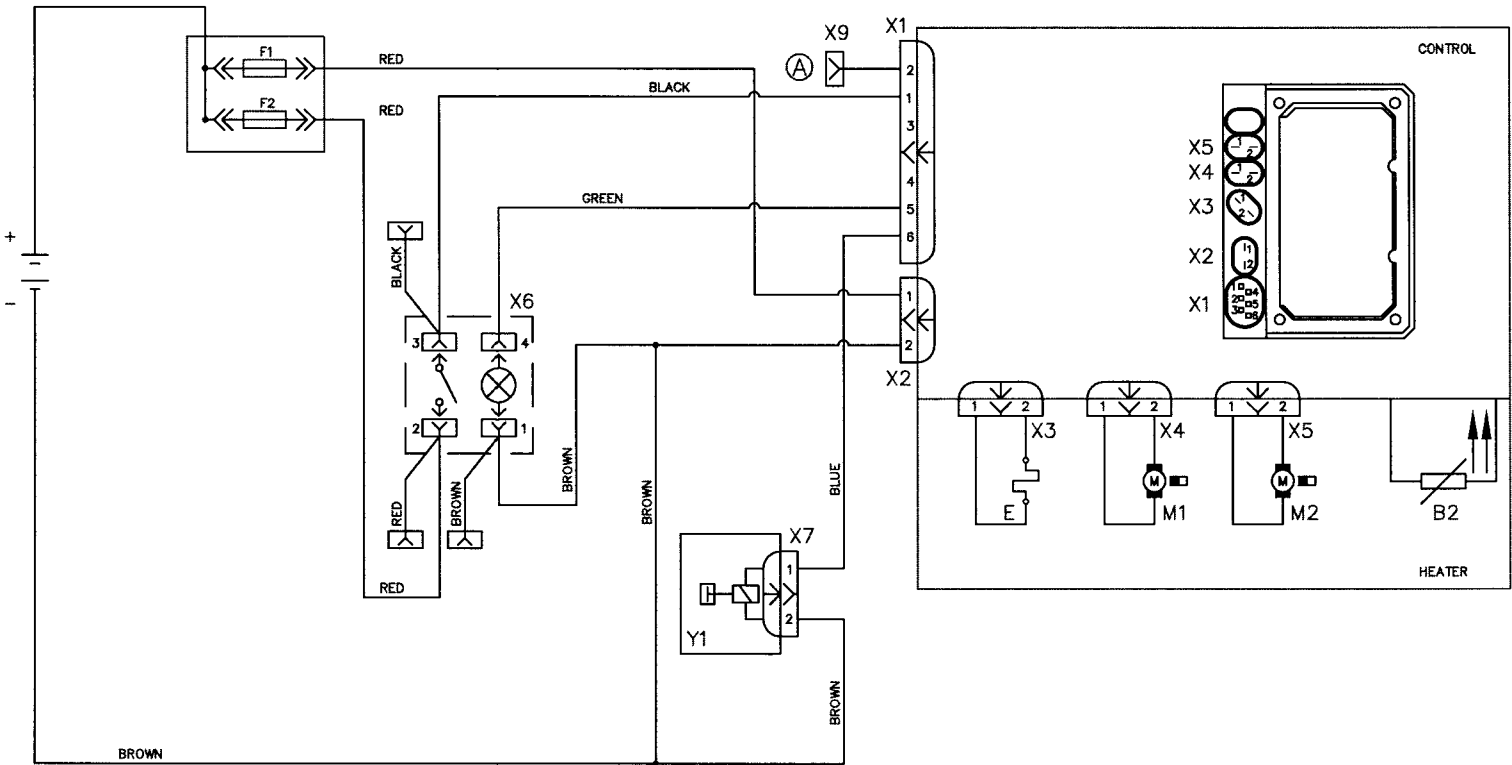
Figure 2: Optional 7-Day Digital Timer

Installation Instructions

Thermo 50 Installation Supplement for TSL 17 Manual



WEBASTO THERMO 50 ELECTRICAL SCHEMATIC WITH ON/OFF SWITCH (24 Volt)



- B2 TEMPERATURE SENSOR
- E CERAMIC IGNITER/FLAME SENSOR
- F1 FUSE 15 Amp.
- F2 FUSE 5 Amp.
- M1 COMBUSTION AIR FAN
- M2 COOLANT CIRCULATION PUMP
- X1 CONNECTOR 6-WAY
- X2 CONNECTOR 2-WAY
- X3 CONNECTOR 2-WAY
- X4 CONNECTOR 2-WAY
- X5 CONNECTOR 2-WAY
- X6 ON/OFF SWITCH
- X7 CONNECTOR 2-WAY
- X8 CONNECTOR 12-WAY
- X9 CONNECTOR 1-WAY
- Y1 FUEL PUMP
- Ⓐ COMPUTER DIAGNOSTICS
DOWNLOAD LINK

Figure 3: Wiring Diagram - 24 Volt Thermo 50 with Switch