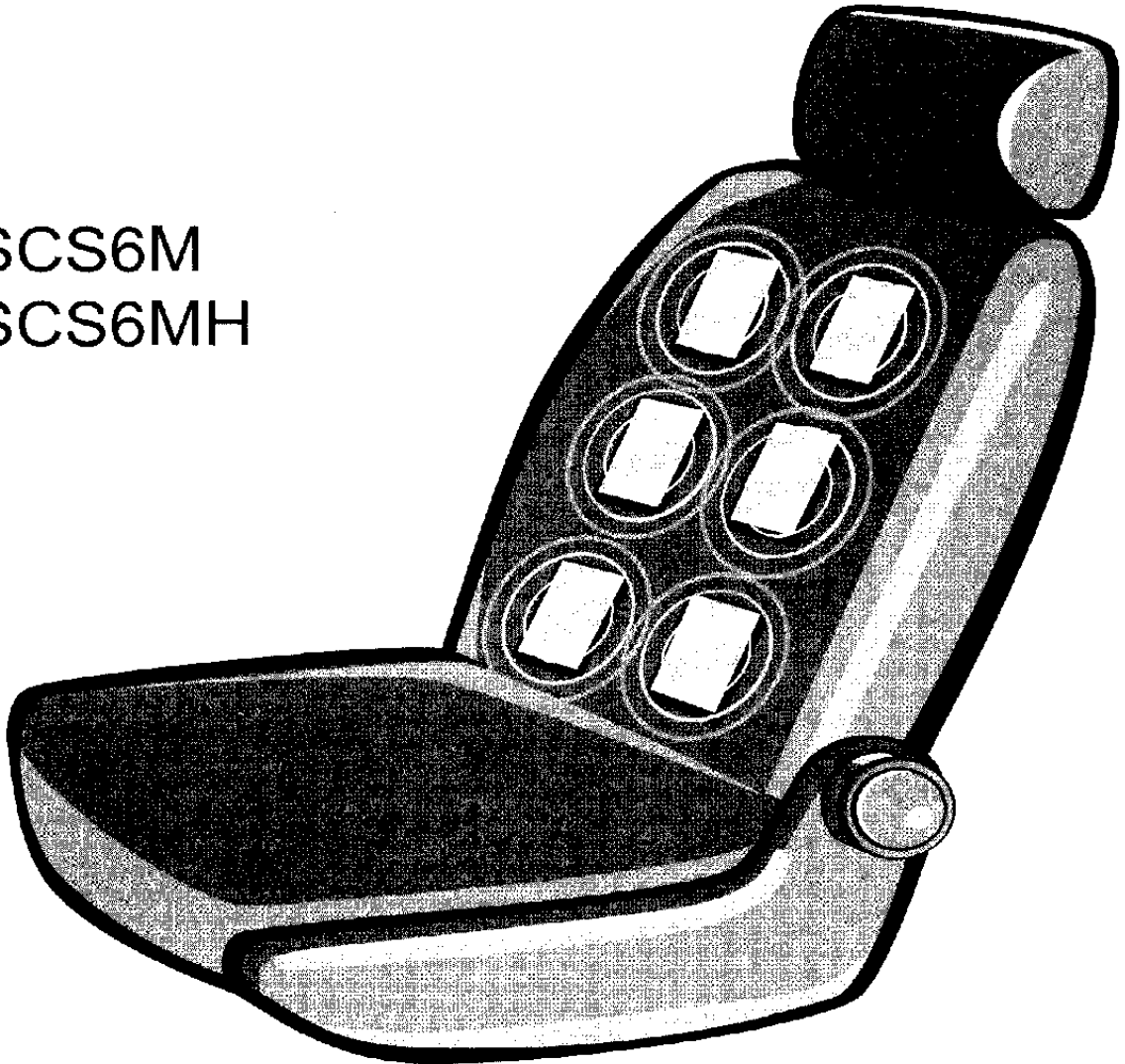


Seat Comfort Systems Revitalizer Massage Installation Manual

SCS6M
SCS6MH



Seat Comfort Systems
25051 Woodridge, Lake Forest CA 92630
888.927.6732
www.seatcomfort.com

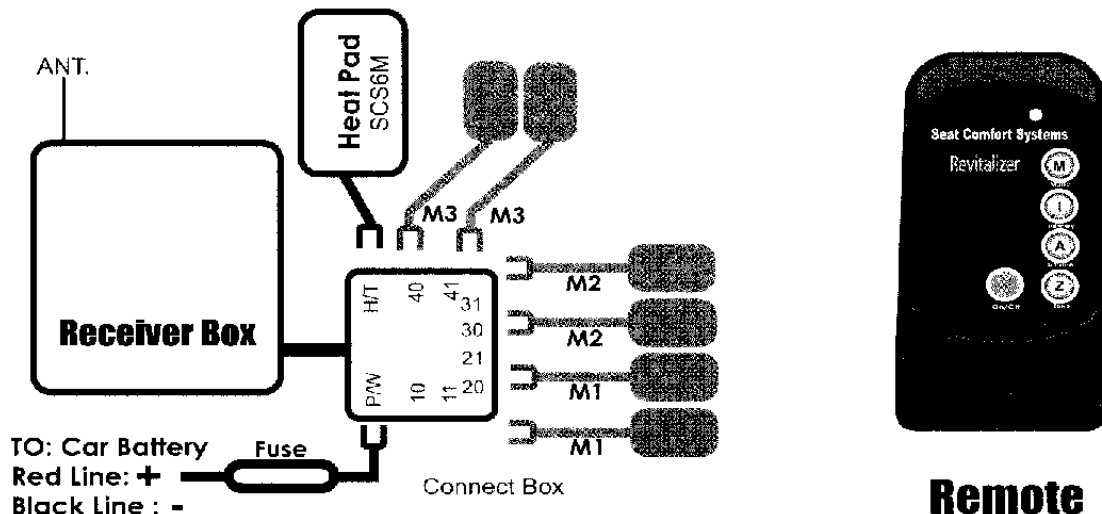
Important Safety Instructions

THE Revitalizer Massage System is a vibration system that has been designed to be installed into the seat back foam in a minimal amount of time with readily available tools. The unique design allows the driver and passenger to experience revitalizing massage in the Lumbar area in almost all of today's vehicles.

GENERAL ADVICE:

- The Revitalizer is to be installed into the back foam. Always check the motor placement on the seat prior to beginning any work. Make sure there are no obstacles that would not allow the motors to be installed.
- Check for Occupant Detection System in the seat back prior to installing. The system cannot be installed under an Occupant Detection System.
- The installer is liable for any damage due to improper installation.
- All steps explained in this manual are to be followed with great care.
- Installation has to be performed by qualified personnel only.
- Improper installation will void the limited warranty provided by the manufacturer and may cause physical damage to equipment or people.
- The massage system has to be connected to 12 volt accessory power and draws a maximum of 2 Amps continuous current.
- The wire harness has to be fitted to the seat in a way that the full range of movement of the seat is possible without damaging the wire harness.
- Cars fitted with side airbags have to be treated according to the manufacturers fitting manuals. The massage system is only to be attached to the middle of the seat back foam.

Massage System Parts List

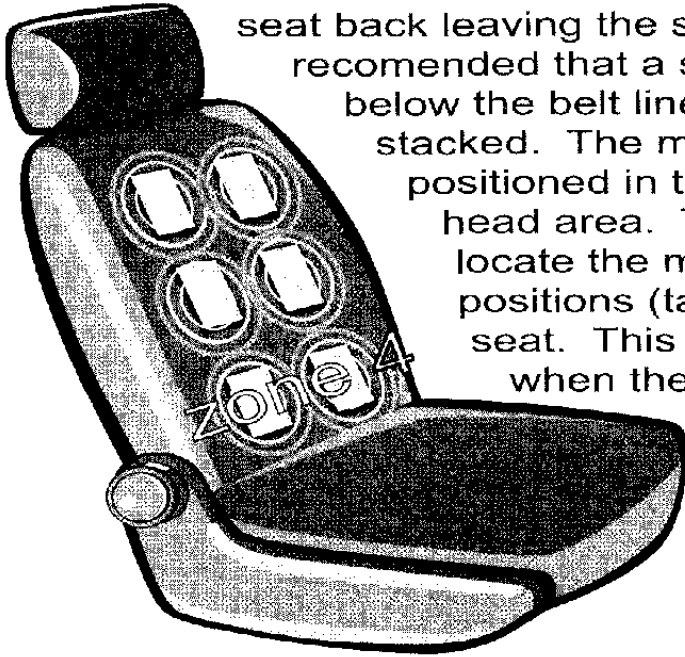


Motor set - 6 pcs
 Remote - 1 pc
 Power wire - 1 pc

Distribution box - 1 pc
 Receiver box - 1 pc
 Heat Pad (**SCS6MH**) - 1 pc

Motor Placement

The motors are to be located on both sides of seat back leaving the spine area open. It is recommended that a set of motors are located below the belt line (zone 4) and then stacked. The motors should not be positioned in the shoulder blade, neck or head area. To begin the installation, locate the massage areas and mark the positions (tape) while sitting on the seat. This will reference the locations when the cover is removed.



1. Locate motor placement on seat back.
2. Remove seat cover and locate and verify motor placement.
3. Trace the motor on the foam, cut out the foam and set motor in cavity
4. Pass the motor wire through the foam and attach to the distribution box.
5. Connect all wires and test the system and motors
6. Adhere motors into the foam
7. Place 1/4" foam over the motors and cavity if necessary
8. Adhere optional lumbar heating element.
9. Attach the receiver box into the seat back and tie any loose wires.
10. Check placement of boxes as not to interfere with lumbar/recliner
11. Run power wire to 12 volt supply and test system
12. Re-cover the seat back.
13. Place remote control in vehicle (armrest/glove box)
14. Program Homelink buttons. (preferably #3)

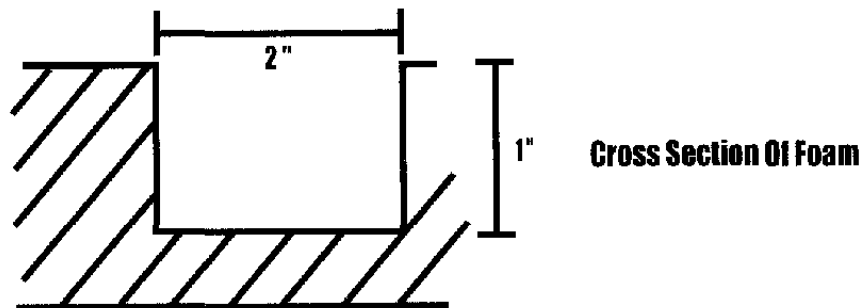
Options:

- 3A. Cut a slit into the foam, create a cavity with your fingers and slip motors into place.
This may create a lump in the foam but it will enhance the massage effect
- 15A. Program Homelink button #2 for other other remote features (intensity/mode)

Motor Installation

(A.) Foam Cutout:

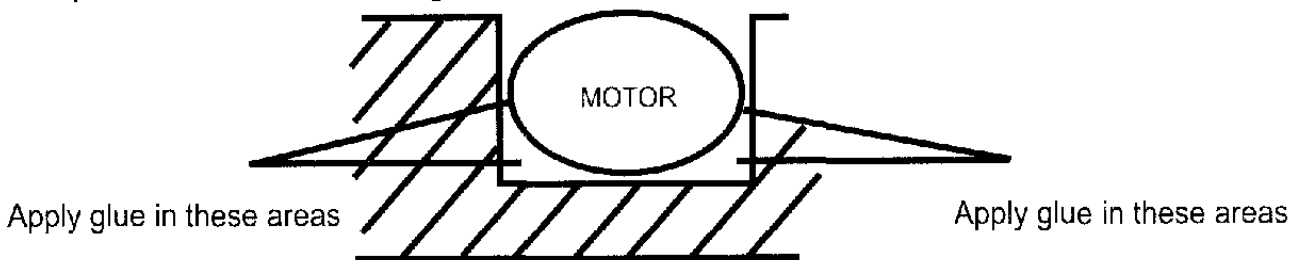
Cut out the foam to receive the shape of the motor housing by pulling back the long cut of the foam and placing the blade on an angle and cut towards the center. Repeat this on the other side and remove the foam cutout .



(B.) Verify that all motors are operational before Gluing:

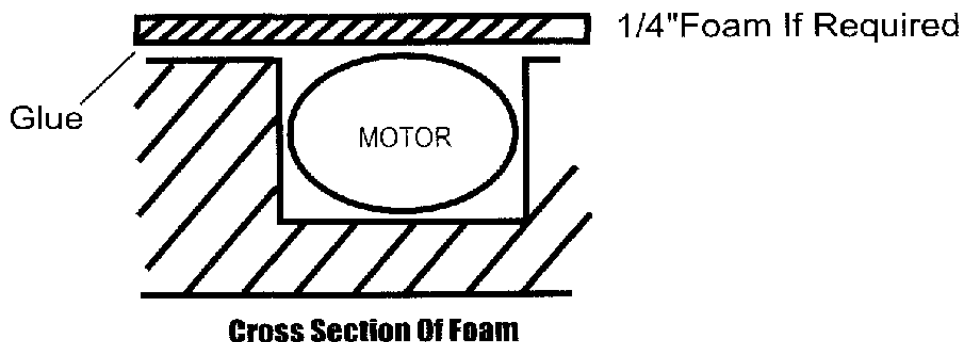
Gluing Motors:

Using spray glue, apply into the foam cavity and then place motor into foam cavity and gently pull the motor wires to insure a light fit, Apply pressure to the top of motors and hold against the foam for 15 seconds.



(C.) Motor Cover (if necessary)

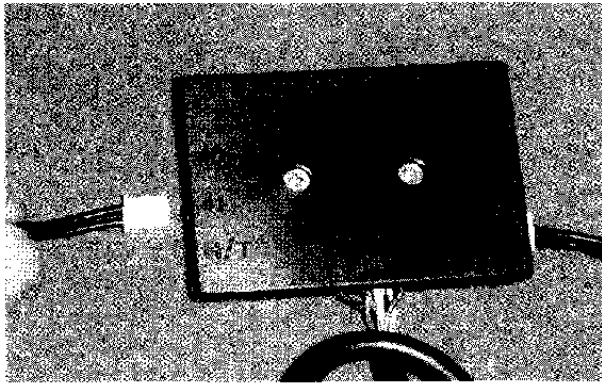
Cover the motor cavity with needlepunch or 1/4" foam.



Wire Placement

Route the motors wires through the foam and connect to the distribution box (below). Attach the receiver box in the seat back by locating a suitable open area. Make sure that there are no loose wires that may interfere with the lumbar or recliner mechanisms. Attach the power connector wire to P/W (below) and route the wire with fuse to 12 volt power.

Connector/Zone Locations



- 10 - Zone 1 - Upper Back: Left
- 20 - Zone 2 - Upper Back: Right
- 30 - Zone 3 - Middle Back
- 31 - Zone 3 - Middle Back
- 40 - Zone 4 - Lower Back
- 41 - Zone 4 - Lower Back
- P/W - Power
- H/T - Heater
- 11 and 21 not used

Lumbar Heat (ONLY FOR SCS6MH)

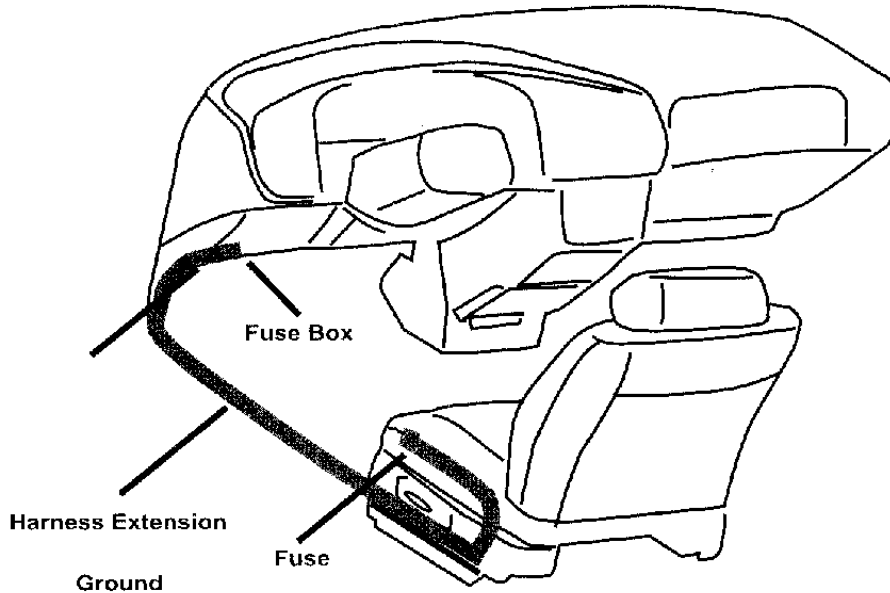
The image below shows the final installation of the lumbar heat



System Power Connection

Power Connection To Vehicle

1. Run the power harness under the carpet and along the scuff plate toward the fuse box.
2. Install the negative wire to ground and secure in place.
3. Connect the red wire (positive) to 12 volt power.

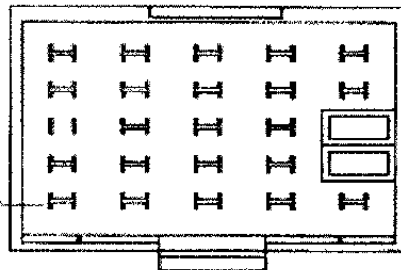


Fuse Box Wiring

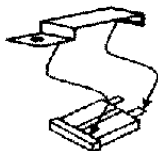
Figure 2

Obtaining ignition switched power from the fuse panel. * One seat per fuse

Remove fuse and determine power side, ignition switch controlled! Install fuse tap on a 20 amp or larger fuse.



Fuse tap for mini-fuses:



Operating Instructions

On/Off button - controls power to the massage system.

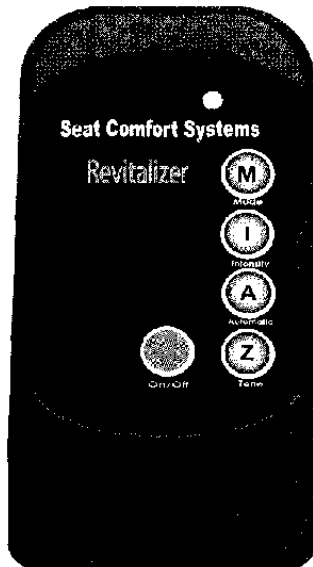
M (mode) - cycles among 9 programs manually

I (intensity) - cycles through 5 intensity levels.

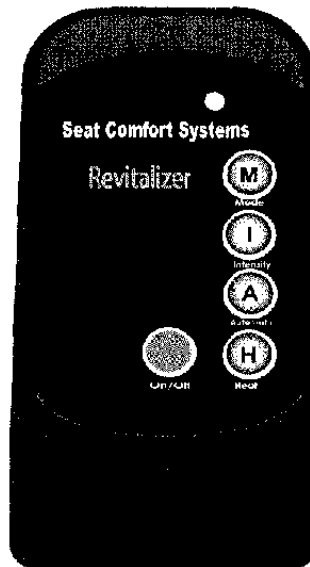
A (automatic) - automatically cycles through the nine programs

Z (zone) - selects individual massage zones

H (heat) - activates lumbar heat.



SCS6M



SCS6MH

Programming the HomeLink Button

To program the remote to HomeLink using a HomeLink button previously trained, follow these steps:

1. Press and hold the desired HomeLink button.
2. When the indicator light begins to flash slowly (after 20 seconds), position the remote 1 to 3 inches away from the HomeLink surface.
3. Press and hold the remote on/off button. The HomeLink indicator light will flash, first slowly and then rapidly.
4. When the indicator light begins to flash rapidly, release both buttons.

The previous device has now been erased and the new device can be activated by pushing the HomeLink button that has just been programmed. This procedure will not affect any other programmed HomeLink buttons.

Seat Comfort Systems - Warranty Information

36 MONTH/36,000 MILE LIMITED WARRANTY

Seat Comfort Systems warrants to the original retail purchaser of this product that should this product or any part thereof, under normal use and conditions, be proven to have defective material or workmanship within 36 months or 36,000 miles of the original purchase, such defect(s) will be repaired or replaced without charge for the parts. This warranty does not apply to batteries or normal wear and tear associated with the Product.

To obtain repair or replacement with the terms of this Warranty, the product is to be returned with warranty card, dated bill of sale, description of defect to the installing dealer and/or retailer.

This Warranty does not cover costs incurred for the removal or reinstallation of the product, and/or related components, and/or damage to the vehicle's electrical system or components.

This Warranty does not apply to any product or part thereof which in the opinion of the Company has been damaged through alteration, improper installation, misuse, neglect, accident, or customer abuse.

No person or representative is authorized to assume for the Company any liability other than expressed herein in connection with the sale of this product.

THE EXTENT OF THE COMPANY'S LIABILITY UNDER THIS WARRANTY IS LIMITED TO THE REPAIR OR REPLACEMENT PROVIDED ABOVE AND, IN NO EVENT, SHALL THE COMPANY'S LIABILITY EXCEED THE PURCHASE PRICE PAID BY THE PURCHASER FOR THE PRODUCT.

WARNING: The installation instructions have been carefully compiled through actual vehicle installations and to the best of our ability is accurate. However, we do not warrant the accuracy of this information against changes in vehicle design, the use or misuse of this information or typographical errors.

It is the responsibility of the installer to verify the proper wire attachments prior to and after the installation to assure proper operation. We do not accept any responsibility for damage to the vehicle or injury to its occupants caused by the use of this information. Improper installation and/or connection to the incorrect wires could cause the massage system or vehicle malfunction, component damage and/or personal injury for you and/or your passengers.

Seat Comfort Systems Inc.

25051 Woodridge, Lake Forest CA 92630 (949) 470 0696